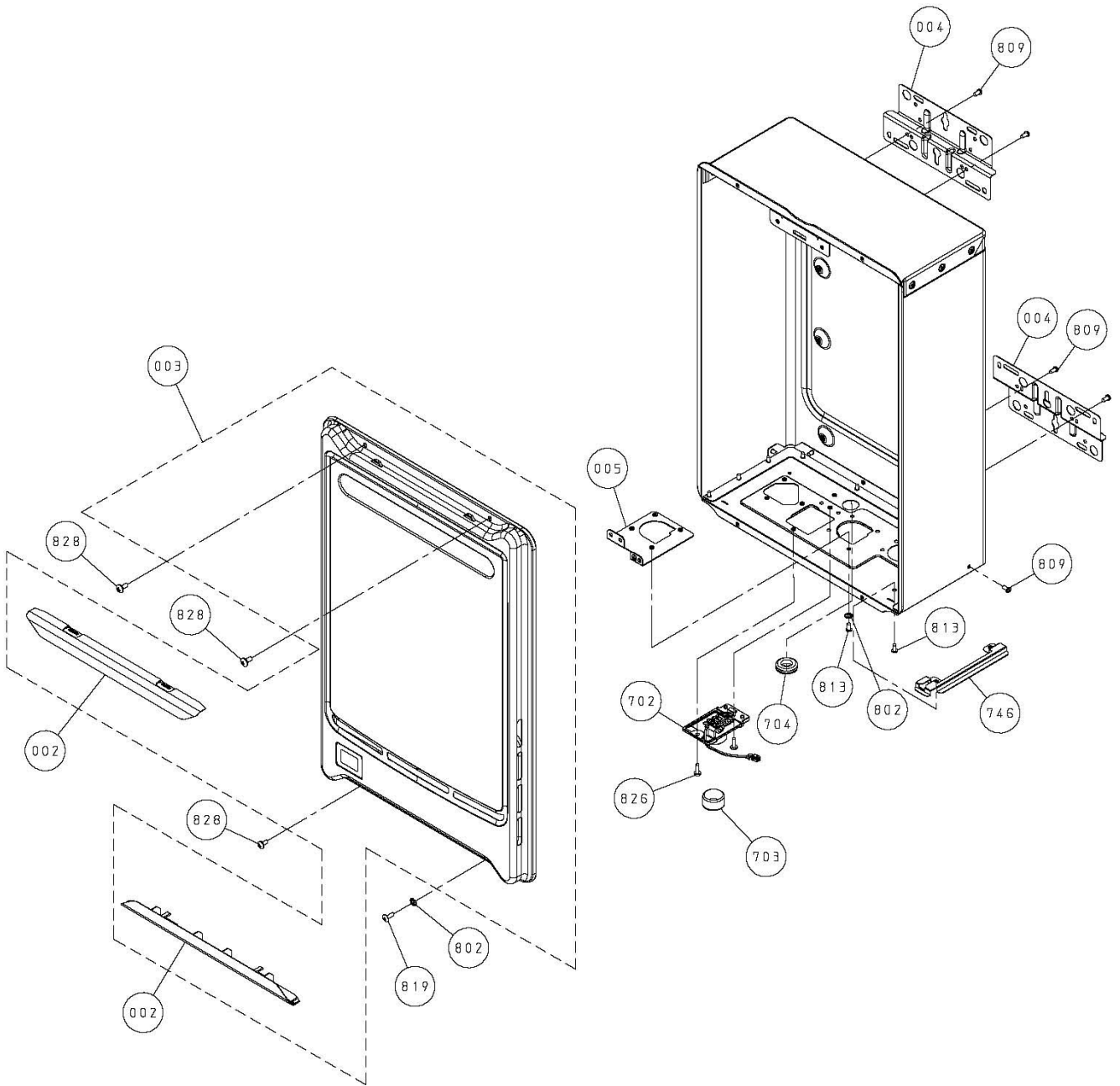


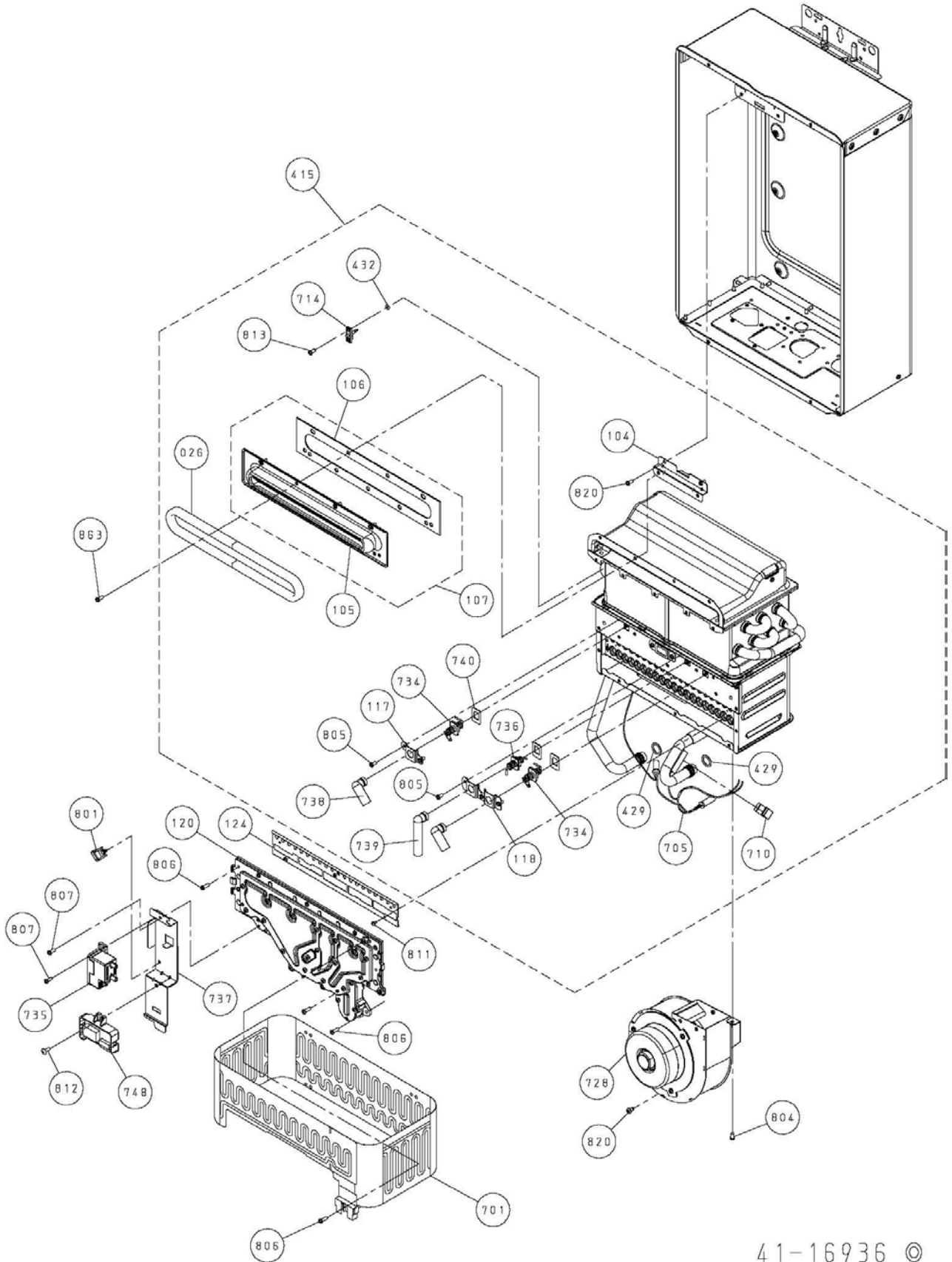
# Continuous flow models 874816, 874820, 874824



## Continuous flow models 874816, 874820, 874824

Item	Part No.	Description
002	41-16045-00	Plastic Cover White
003	41-25735-00	Front Cover Assy 874816NFZ NAT NZ
003	41-25736-00	Front Cover Assy 874816LFZ ULPG NZ
003	41-25733-00	Front Cover Assy 874820NFZ NAT NZ
003	41-25734-00	Front Cover Assy 874820LFZ ULPG NZ
003	41-16594-00	Front Cover Assy 874824NFZ NAT NZ
003	41-16893-00	Front Cover Assy 874824LFZ ULPG NZ
004	41-16035-00	Bracket White
005	41-16037-00	Water Inlet Connector Bracket
702	41-16704-00	Remote Controller Terminal Assy
703	20-93999-00	Code Bush 3pcs
704	21-43144-00	Rubber Bush
746	41-16044-00	PCB Assy Holder
802	09-58704-00	Washer 10pcs
809	09-02634-00	Pan Head ST 4X8 10pcs
813	09-11642-00	Pan Head ST 4X8 10pcs
819	09-14644-00	Pan Head ST 4X12 10pcs
826	09-11644-00	Pan Head ST M4X12 10pcs
828	09-02601-00	Truss Head Packing ST 10pcs

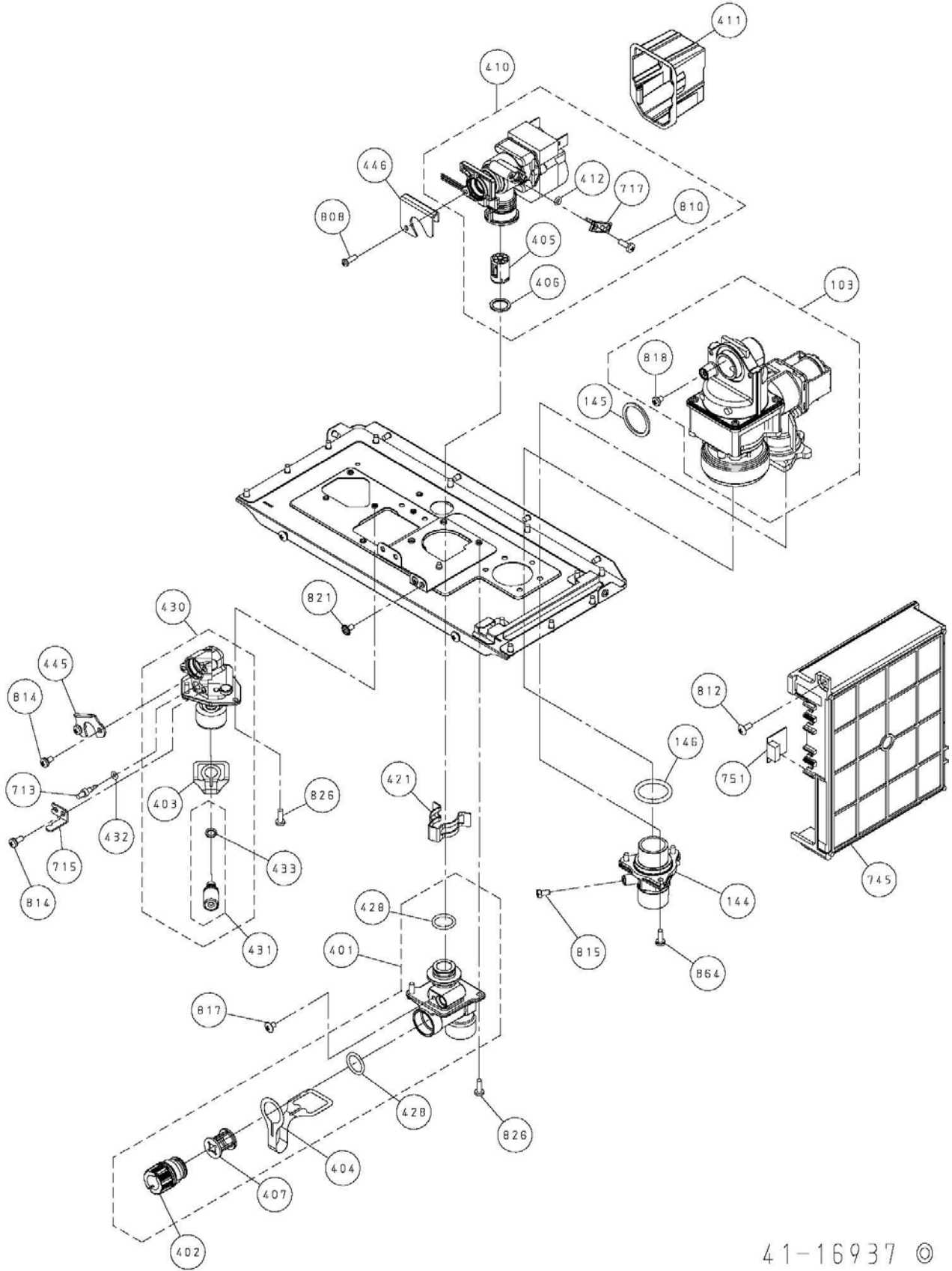
# Continuous flow models 874816, 874820, 874824



## Continuous flow models 874816, 874820, 874824

Item	Part No.	Description
26	31-93798-00	F Seal Packing
104	41-16137-00	Hood Bracket
105	41-16402-00	Top
106	41-16403-00	Top Packing
107	41-16401-00	Top Assy
117	41-16184-00	Electrode Holder A
118	41-16190-00	Electrode Holder B
120	41-16301-00	Lower Burner Assy NAT
120	41-16321-00	Lower Burner Assy LP/ULPG
124	41-16337-00	Burner Damper NAT
124	41-16338-00	Burner Damper LP/ULPG
415	41-16585-00	Combustion Chamber Kit
429	09-06219-00	O-Ring P-14 EPT 5pcs
432	09-06369-00	O Ring P-4 5pcs
701	41-16554-00	Over Heat Limiter Assy
705	41-16551-00	Anti-Frost Heater
710	21-38305-00	Heater Holder C 5pcs
714	41-16772-00	Heat Exchanger Thermistor Assy
728	41-16410-0S	Fan Assy
734	41-16185-00	Electrode Assy
736	41-16187-00	Electrode A
737	41-16703-00	Igniter Bracket
738	30-13279-00	Electrode Cover
739	41-16779-00	Electrode Cover
740	31-93580-00	Electrode Gasket
748	41-16741-00	OK Monitor Assy
801	09-78897-00	Cramp 5pcs
804	09-11142-00	Pan Head ST 4X8 10pcs
805	09-11242-00	Pan Head ST 4X8 10pcs
806	09-11144-00	Pan Head ST 4X12 10pcs
807	09-11143-00	Pan Head 4X10 10pcs
811	09-46131-00	Pan Head TP 3X6 10pcs
812	09-14143-00	Truss Head ST 4X10 10pcs
813	09-11642-00	Pan Head ST 4X8 10pcs
820	09-01302-00	Pan Head ST 4X8 10pcs
863	09-11243-00	Pan Head 4x10 10pcs

# Continuous flow models 874816, 874820, 874824

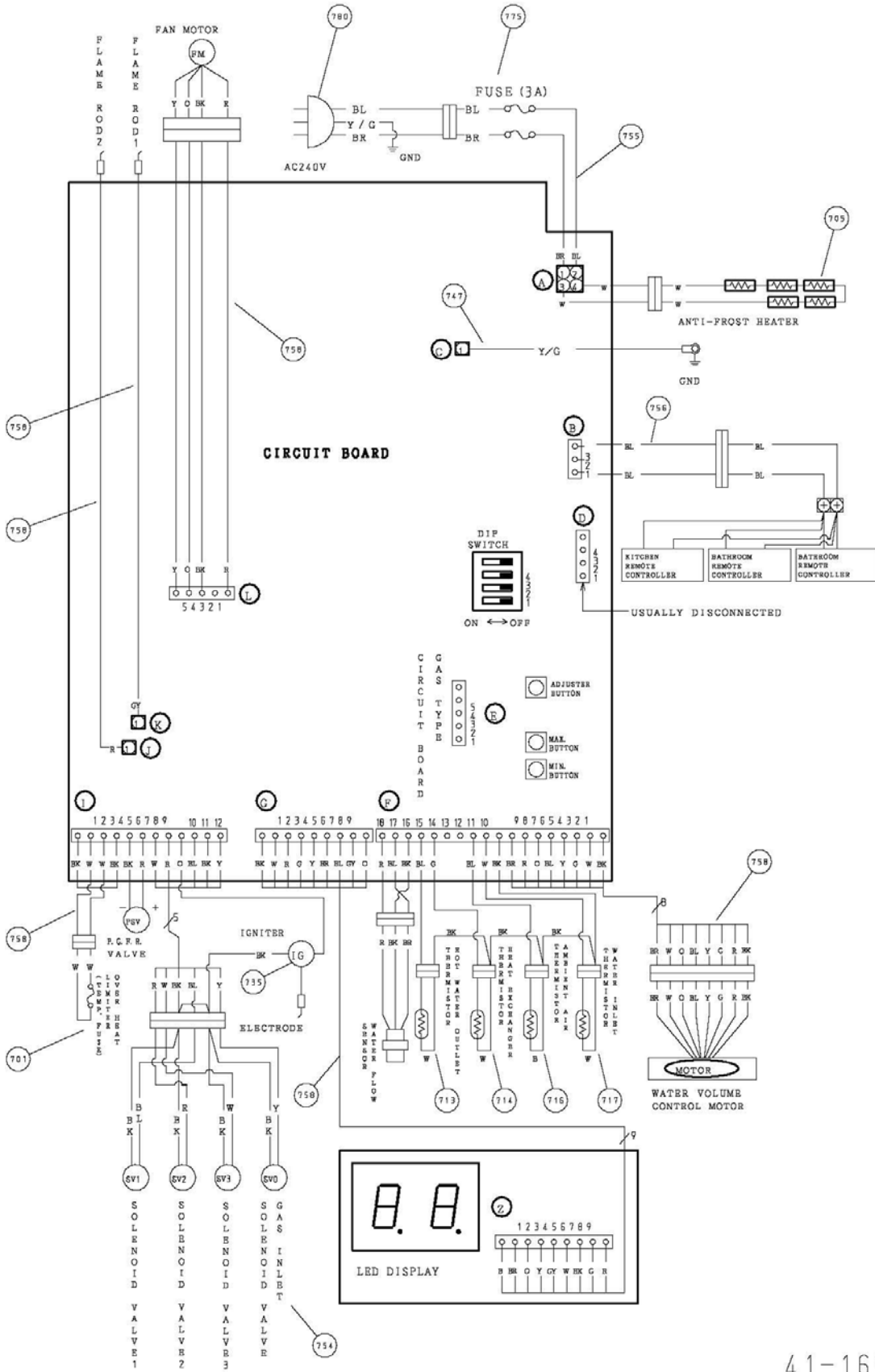


# Continuous flow models

## 874816, 874820, 874824

Item	Part No.	Description
103	41-16250-0S	Proportional Gas Flow Regulating Value
144	41-16502-00	Gas Inlet Connector
145	09-03511-00	Gasket 5pcs
146	09-61260-00	O-Ring P-26 5pcs
401	41-16510-0S	Water Inlet Connector
402	30-10476-00	Water Drain Valve
403	41-16522-00	Band B
404	41-16523-00	Band
405	54-05130-00	Water flow sensor
406	20-51156-00	Backup Ring 10pcs
407	20-43721-00	Filter Guide
410	41-16202-00	Water Body Assy
411	41-16206-00	Motor Cover
412	09-06214-00	O-Ring P-4 EPT 5pcs
421	10-73880-00	Quick Fastener
428	09-06215-00	O-Ring P-16 EPT 5pcs
430	41-16506-0S	Hot Water Outlet Connector Assy
431	30-10125-00	Safety Valve Assy 2
432	09-06369-00	O Ring P-4 5pcs
433	09-06115-00	O Ring P-6 (EPT) 5pcs
445	10-88398-00	Flange
446	41-16514-00	Flange C
713	41-16771-00	Outlet Hot Water Thermistor Assy
715	41-16710-00	Thermistor Holder
717	41-16770-00	Water Inlet Thermistor Assy
745	41-25791-0S	PCB Assy version 4
751	41-25755-00	GTC 874816NFZ, PH-1605AWN
751	41-25756-00	GTC 874816LFZ, PH-1605AWL
751	41-25753-00	GTC 874820NFZ
751	41-25754-00	GTC 874820LFZ
751	41-16911-00	GTC 874824NFZ, PH-2405AWN
751	41-16912-00	GTC 874824LFZ, PH-2405AWL
808	09-01976-00	Pan Head EMP 4X12 10pcs
810	09-02526-00	Pan Head EMP 4X12 10pcs
812	09-14143-00	Truss Head ST 4X10 10pcs
814	09-40643-00	Pan Head SW 4X10 10pcs
815	09-02668-00	Hexagon Head Packing Screw 10pcs
817	09-14641-00	Truss Head ST 4X6 10pcs
818	09-01775-00	Truss Head Packing Screw 10pcs
821	09-80107-00	Pan Head Toothed Washer Screw 10pcs
826	09-11644-00	Pan Head ST M4X12 10pcs
864	09-40644-00	Pan Head SW 4X12 10pcs

# Continuous flow models 874816, 874820, 874824



# Continuous flow models 874816, 874820, 874824

Item	Part No.	Description
701	41-16554-00	Over Heat Limiter Assy
705	41-16551-00	Anti-Frost Heater
713	41-16771-00	Outlet Hot Water Thermistor Assy
714	41-16772-00	Heat Exchanger Thermistor Assy
716	30-10833-00	Ambient Air Thermistor Assy
717	41-16770-00	Water Inlet Thermistor Assy
735	41-16707-0S	Igniter Assy
747	41-02249-00	Earth Assy
754	41-16764-00	Solenoid Valve Wire Assy
756	41-16765-00	Remote Controller Connection Wiring Assy
758	41-16773-00	Signal Connecting Wiring Assy
775	09-73259-00	Fuse
780	31-76652-00	Power Supply Cord Assy