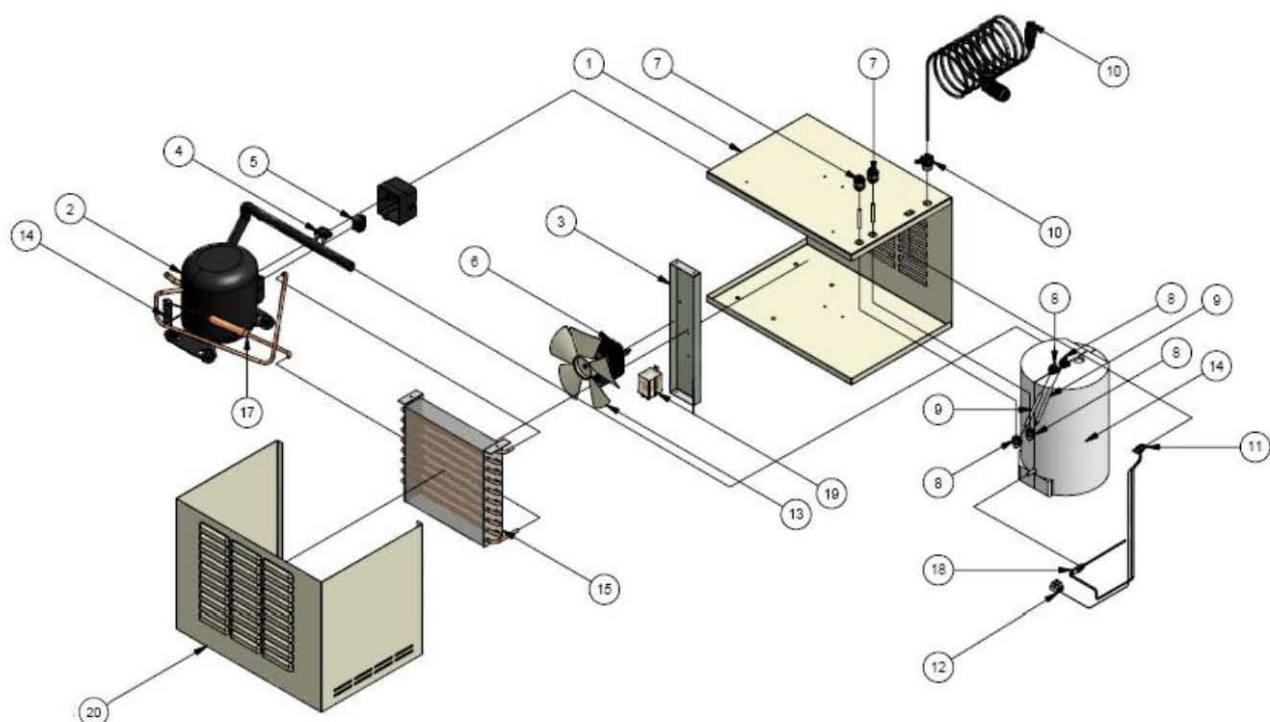


Rheem Spare Parts Manual

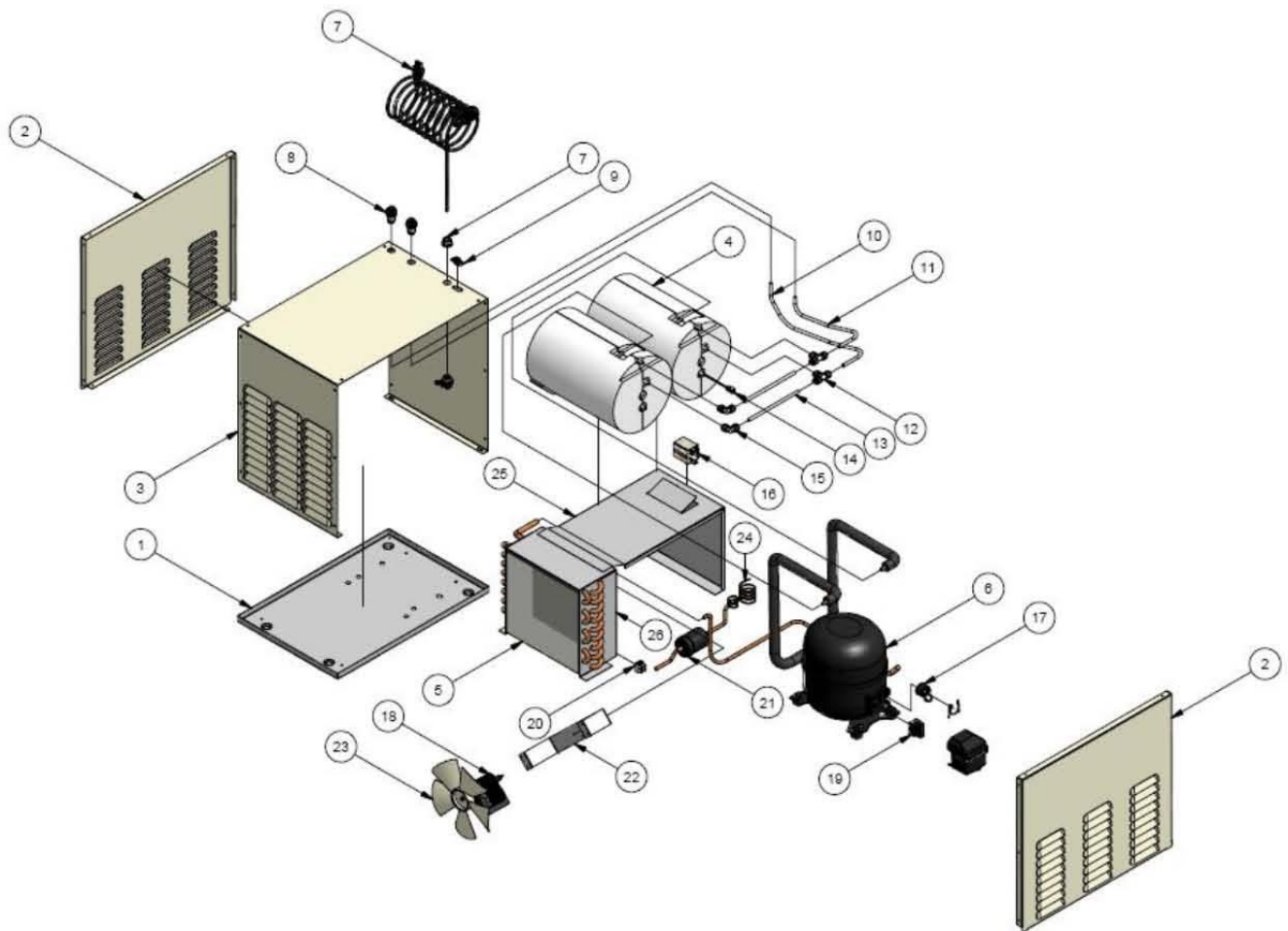
TB chiller unit 290250/3 3L push through



Item	Part No.	Description
1	N/A	Top panel
2	Z-2010	Compressor
3	N/A	Fan bracket
4	E-054	Compressor PTC relay
5	E-053	Compressor overload
6	Z-4032	Fan motor
7	N/A	¼" Quick connect adapter (with locknut)
8	N/A	¼" Quick connect elbow
9	N/A	¼" PVC tubing
10	317195	Power loom with cable gland
11	317194	Thermistor & leak sensor wiring loom (inc communications socket)
12	316511	Leak detector
13	N/A	Fan blade
14	N/A	Tank assembly (Including styrene insulation)
15	N/A	Condenser
16	N/A	Capillary tube 1.1mm I.D X 2.16mm O.D (refrigeration)
17	N/A	Filter/drier (refrigeration)
18	Z-4015	Cold thermistor
19	Z-4057	Relay
20	N/A	Side panel
N/S	Z-3030	Check Valve ½"
N/S	317255	Ventilation Kit- Includes 3x Grills & Chiller Hoses
N/S	318789	Auxiliary Fan Kit

Rheem Spare Parts Manual

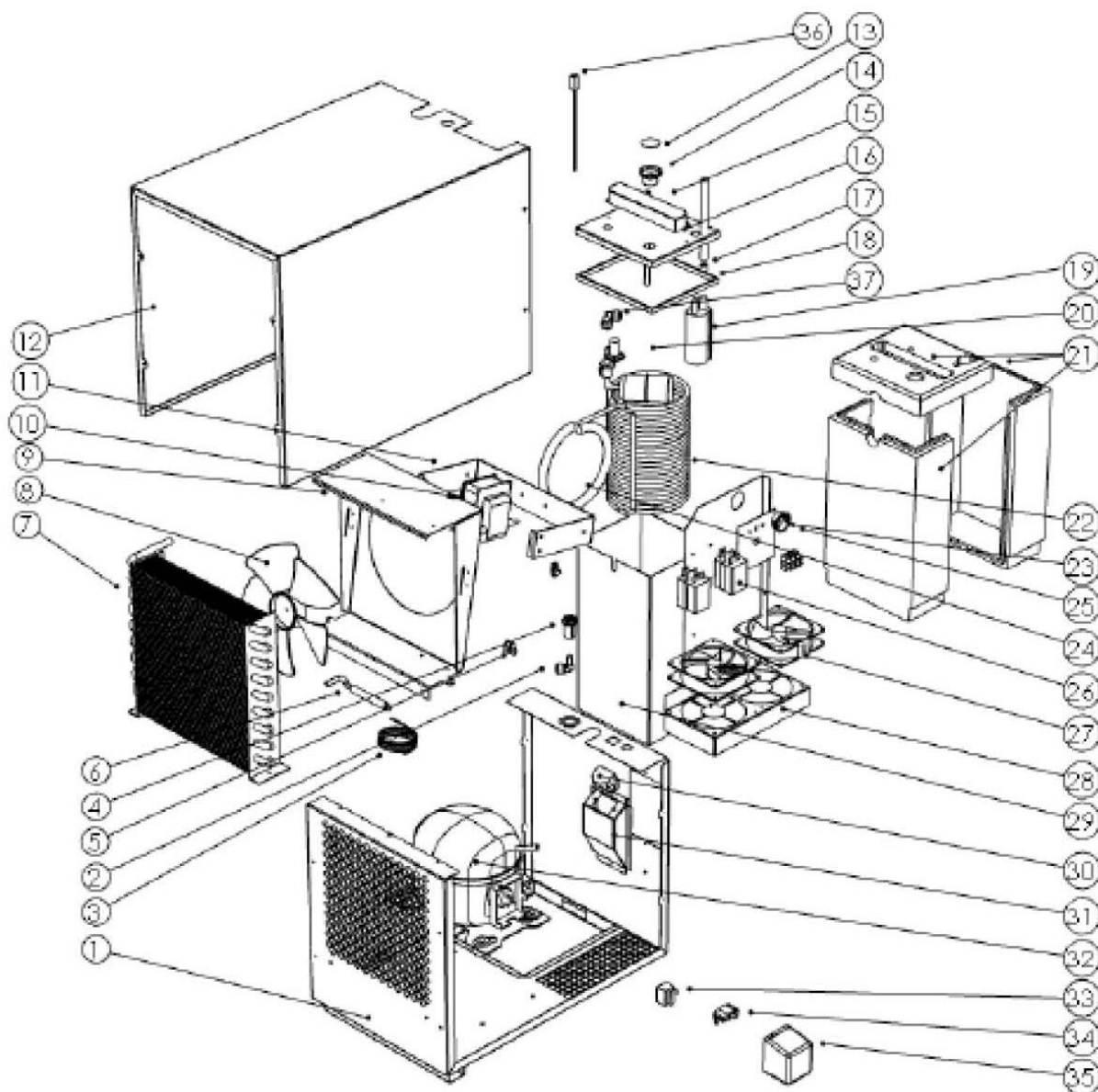
TB chiller unit 290250/5 series 6L push through



Item	Part No.	Description	Item	Part No.	Description
1	N/A	Base panel	14	Z-4015	Cold thermistor
2	N/A	Side panel	15	N/A	¼" Quick connect elbow
3	N/A	Jacket	16	Z-4057	Relay
4	N/A	PTC relay tank assembly (including styrene insulation)	17	E-057	Compressor overload
5	N/A	Condenser	18	Z-4032	Fan motor
6	Z-2030	Compressor	19	E-058	Compressor PTC relay
7	317195	Power loom with cable gland	20	316511	Leak detector
8	N/A	¼" Quick connect adapter (with locknut)	21	N/A	Filter/drier (refrigeration)
9	317194	Thermistor & leak sensor wiring	22	N/A	Fan bracket
10	N/A	¼" PVC tubing (inlet)	23	Z-4033	Fan blade
11	N/A	¼" PVC tubing (outlet)	24	N/A	Capillary tube 1.1mm I.D X 2.16mm O.D (refrigeration)
12	N/A	¼" Quick connect T piece	25	N/A	Tank support bracket
13	N/A	¼" PVC tubing (tank to tank)	26	N/A	Fan shroud
N/S	317255	Ventilation Kit– Includes 3x Grills & Chiller Hoses			
N/S	318789	Auxiliary Fan Kit			

Rheem Spare Parts Manual

TB chiller unit 290254/5 series 3 – 6L pumped



Rheem Spare Parts Manual

TB chiller unit 290254/5 series 3 – 6L pumped

Item	290254	290255	Description
1	N/A	N/A	Chassis
2	N/A	N/A	John Guest 1/4" stem x 1/4" push fit elbow
3	N/A	N/A	Capillary tube
4	N/A	N/A	John Guest 1/4" bulkhead adapter fitting and lock nut
5	N/A	N/A	Terminal block for leak detector wire
6	N/A	N/A	Filter/drier
7	N/A	N/A	Condenser coil
8	Z-4033	Z-4033	Condenser fan blade
9	N/A	N/A	Condenser fan cowling
10	Z-4032	Z-4032	Condenser fan motor
11	N/A	N/A	Condenser fan motor bracket
12	N/A	N/A	Top/side Jacket
13	Z-3125	Z-3125	Air filter
14	N/A	N/A	Air filter housing
15	Z-7728	Z-7728	Pump transformer
16	N/A	N/A	Storage tank lid assembly
17	N/A	N/A	Flow restrictor - brass
18	N/A	N/A	Storage tank lid seal
19	Z-8300	Z-8300	Comet chilled water pump
20	C-138	C-138	Float valve assembly
21	N/A	N/A	Insulation assembly
22	N/A	N/A	Evaporator coil
23	N/A	N/A	Cable bush
24	N/A	N/A	Suction line insulation (Aero flex)
25	N/A	N/A	Terminal block
26	Z-4057	Z-4057	Compressor relay (left) and pump relay (right)
27	Z-7727	Z-7727	Internal vent fans with EMC choke
28	N/A	N/A	Internal vent fans bracket
29	N/A	N/A	Tank assembly
30	N/A	N/A	External vent fan socket
31	N/A	N/A	Component bracket
32	Z-2010	Z-2010	Compressor
33	E-054	E-054	Compressor PTC resistor block
34	E-053	E-053	Compressor thermal overload
35	N/A	N/A	Compressor electrical box cover
36	10535	10535	Thermistor
37	N/A	N/A	Storage tank 1/4" quick connect elbow
N/S	N/A	N/A	Mains cord set
N/S	Z-7729	Z-7729	Communications cable
N/S	317255	317255	Ventilation Kit– Includes 3x Grills & Chiller Hoses
N/S	318789	318789	Auxiliary Fan Kit