

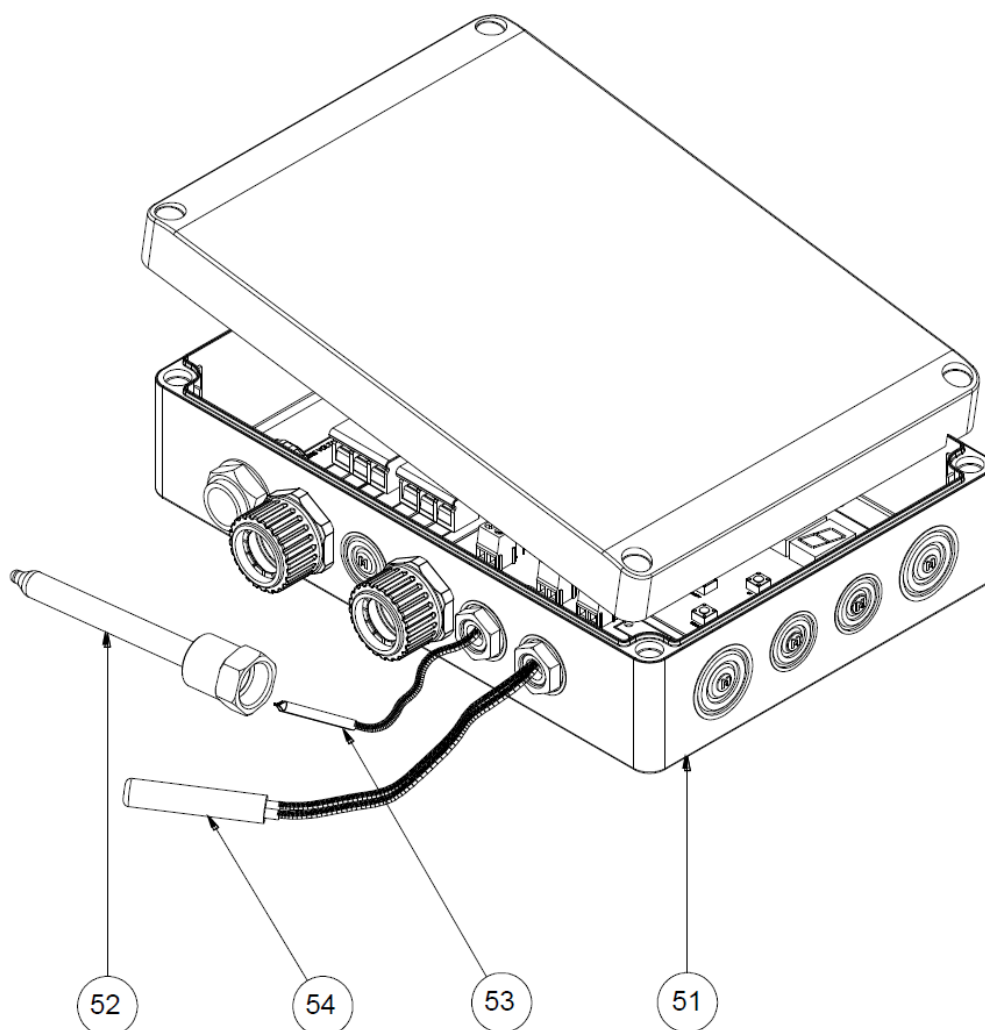
Rheem Spare Parts Manual

ARHP33 Pool heat pump

Item	Part No.	Description
2	4010001	Evaporator coil
3	8150142	Access panel
4	8140152	Power input panel
5	8110140	Top cover
6	3010002	Compressor
7	8160152	Corner support
8	2010009	Heat exchanger
10	8130152	Control panel cover
11	8210001	Fan guard
12	8210002	Fan blade
13	8210010	Fan motor with 1.5m cable
14	6310002	Water manifold assembly
17	8310002	Control panel
18	2110008	Expansion (TX) valve
19	2110002	Receiver filter/drier
N/S	100-116	Indicator tube
N/S	5010012	Low pressure switch
N/S	5010013	High pressure switch
N/S	6210032	Union for water connections
N/S	5010006	Water sensor

Rheem Spare Parts Manual

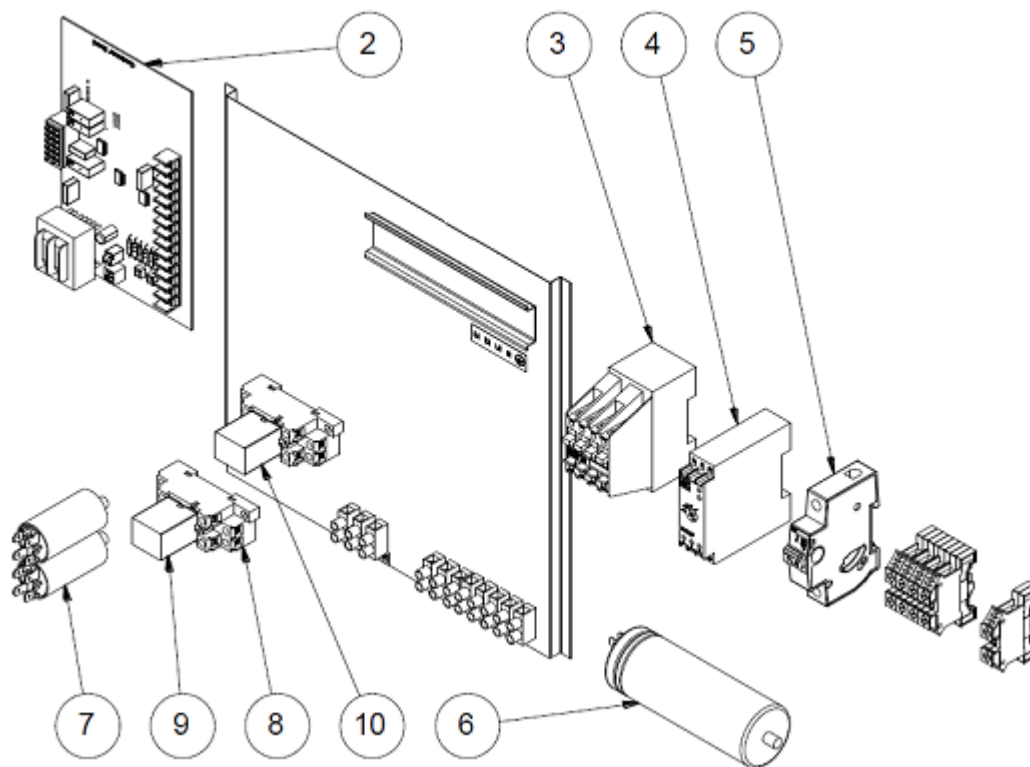
Commercial Heat Pump 952/953 0220



Item	Part N°	Description
51	052140	Master Controller Assembly
52	079427	Well - Tank stat
53	890711	Tank stat (Sensor)
54	890712	Ambient Air Sensor

Rheem Spare Parts Manual

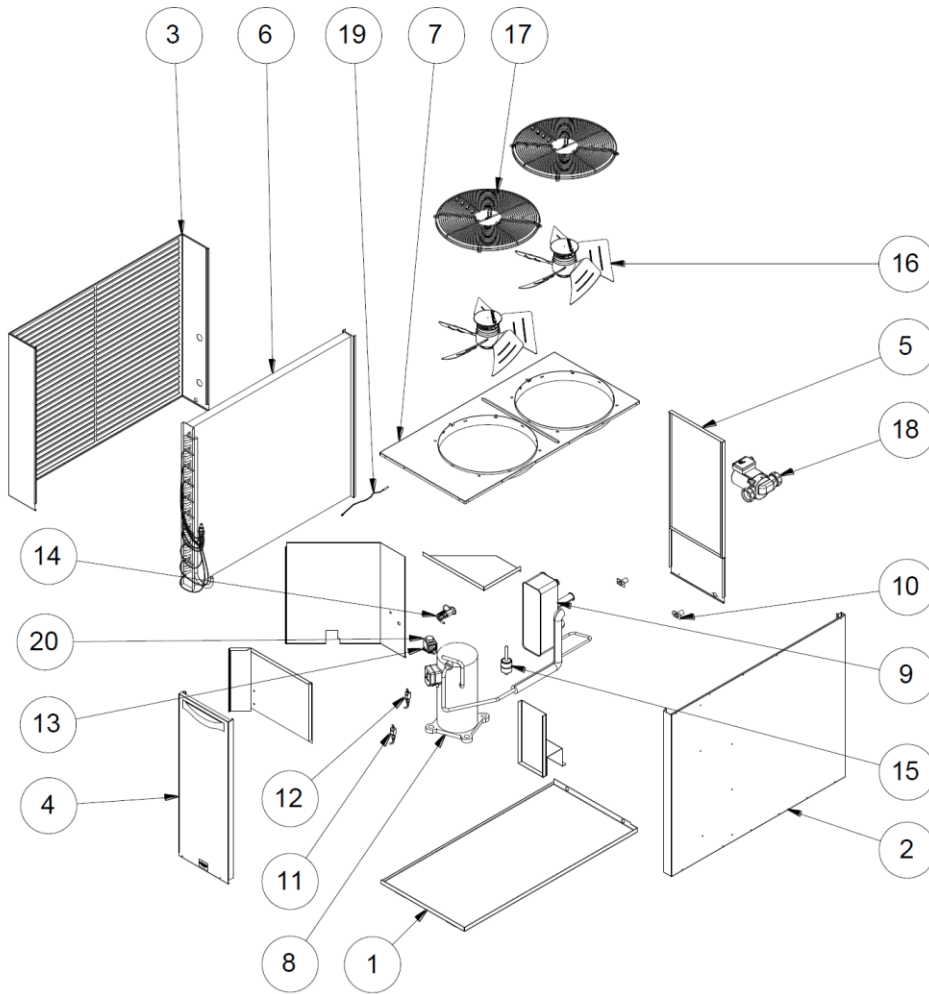
Commercial Heat Pump 952/953 0220



Item	Part N°	Description
2	17012	Condenser Management Board AC1R2
		Condenser Management Board AC1R2 (Models made after the 1/5/09 only)
3	17006	Contactor 8-20KW
4	17206	Phase Failure Relay – RPW-FSF-D70
5	17083	Circuit Breaker (10 amp)
6	17034	Capacitor 22 μ f (Low Speed)
7	17029	Capacitor 4 μ F
8	17127	Relay Base
9	17126	Relay 240VAC - De-ice control (Models made after the 1/5/09 only)
10	17200	Relay 24VAC - Heat Pump control

Rheem Spare Parts Manual

Commercial Heat Pump 952/953 0220



Rheem Spare Parts Manual

Commercial Heat Pump 952/953 0220

Item	Part N°	Description		
1	23492	Base Panel		
2	23505	Powder Coated	Top Discharge	RHS Panel
	23502AL	Aluminium		
	23502SS	Stainless Steel		
	24918	Powder Coated	Side Discharge	
	24918AL	Aluminium		
	24918SS	Stainless Steel		
3	23501	Powder Coated	LHS Panel - Louvred	
	23501 AL	Aluminium		
	23501 SS	Stainless Steel		
4	23494	Powder Coated	Access Panel - Front	
	23494AL	Aluminium		
	23494SS	Stainless Steel		
5	23493	Powder Coated	Access Panel - Rear	
	23494AL	Aluminium		
	23494SS	Stainless Steel		
6	16332	Evaporator (uncoated)		
	16189	Evaporator (coated)		
7	23498	Powder Coated	Top Panel – Top Discharge (952022 & 953022)	
	23498AL	Aluminium		
	23498SS	Stainless Steel		
	24917	Powder Coated	Top Panel - Side Discharge (953022)	
	24917AL	Aluminium		
	24917SS	Stainless Steel		
8	20011	Compressor		
9	16208	Heat Exchanger		
10	26205	Condensate Drain		
11	16080	Low Pressure Switch		
12	16079	High Pressure Switch		
13	16334	De-ice Solenoid Valve (Models made post 1/5/09 only)		
14	16072	TX Valve HAE-5VX100B20 For R22 Refrigerant		
	16073	TX Valve HAE-8VX100B20 For 407c Refrigerant		
15	16293	Filter Drier		
16	21018	Fan & Motor		
17	16116	Fan Guard		
18	56860243	Circulator UPS32-80B		
19	17079	Evaporator Sensor		
20	16361	De-Ice Solenoid Valve Coil (Models made post 1/5/09 only)		
NS	16359	Relief Valve H537(1200kPa)		
	16193	¼" Access Valve		
	16195	Schrader Core		
	16194	Schrader Cap		