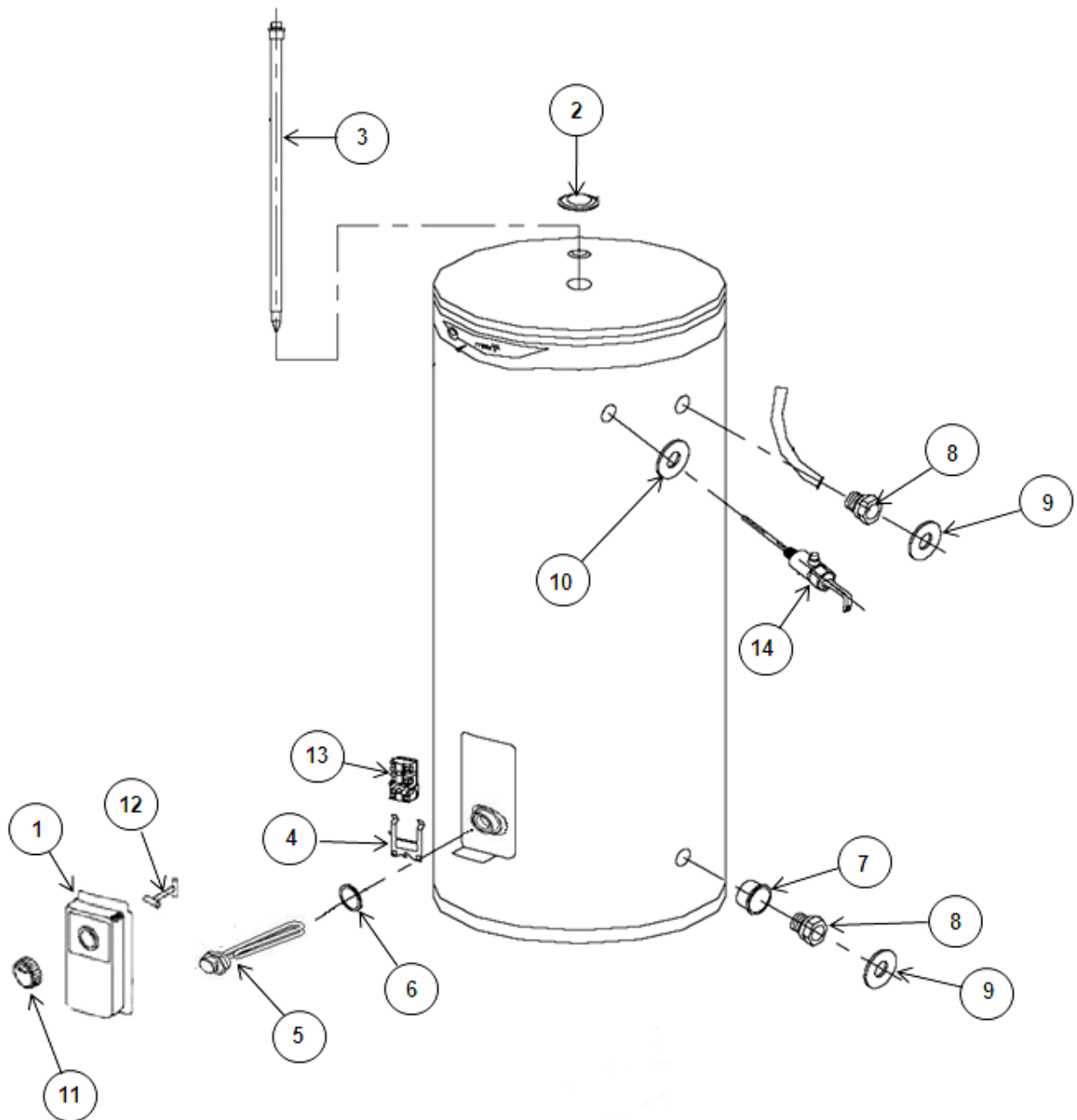


# Rheem Spare Parts Manual

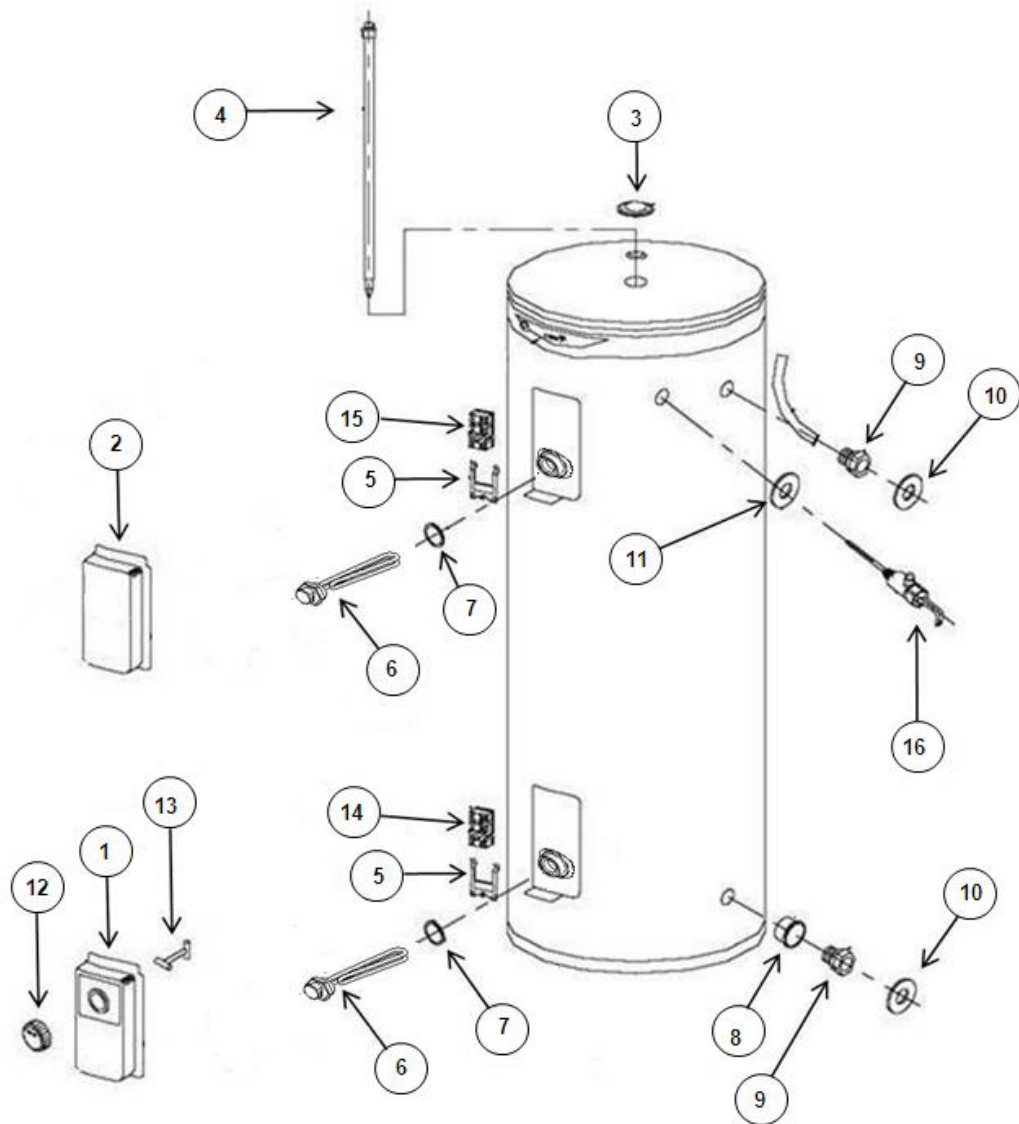
## Optima 180L single element



Item	Part No.	Description	Item	Part No.	Description
1	100738-1	E&T cover Pre Mar 2016	9	221398-1	Inlet/outlet pipe seal
1	100703-1	E&T cover post Mar 2016	10	221411	TPRV seal
2	221720-1	Anode cover	11	226928-1	Thermostat knob
3	11085	Anode (black) 1480mm	12	226948	Thermostat/knob linking shaft
4	11599	Thermostat clamp	13	052014	R/Shaw thermostat ST1204133R
5	14321	Element 3.0kW tin plated	13	315825	R/Shaw thermostat ST1203133 post Mar 2016
6	10908	Element O-ring	14	90422	TPRV HTE521-522 1400kPa ½"
7	316209	Fitting liner ¾" x 25mm			
8	069405	Fitting extension ¾"	N/S	317623	Thermostat and linking shaft kit

# Rheem Spare Parts Manual

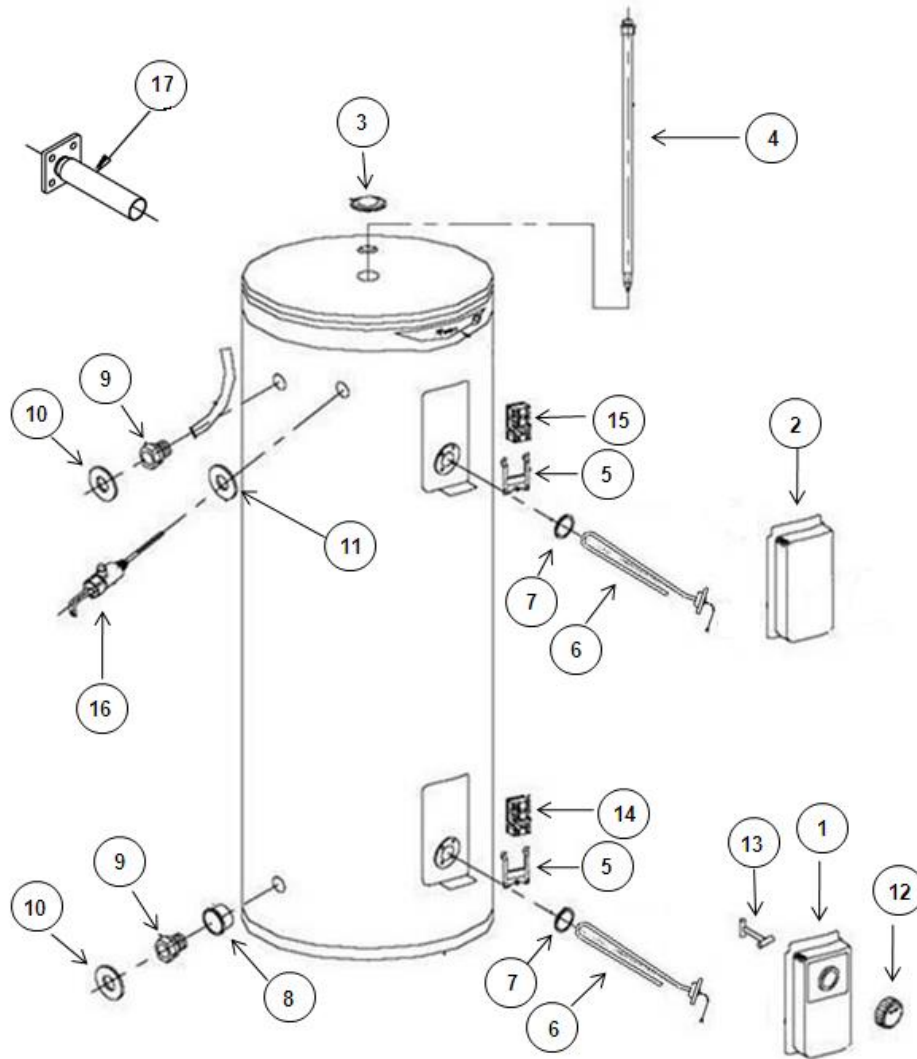
## Optima 300L twin element



Item	Part No.	Description	Item	Part No.	Description
1	100738-1	E&T Cover pre Mar 2016	10	221398-1	Inlet/outlet pipe seal
1	100703-1	E&T Cover post Mar 2016	11	221411	TPRV seal
2	100704-1	E&T cover top	12	226928-1	Thermostat knob
3	221720-1	Anode cover	13	226948	Thermostat/knob linking shaft
4	316546	Anode (black) 1550mm	14	052014	R/Shaw T/stat ST1204133R bottom – Post 2008
5	11599	Thermostat clamp	14	315825	R/Shaw T/stat ST1203133 bottom Post Mar 2016
6	14321	Element 3.0kW tin plated	15	11077	R/Shaw T/stat ST2207233 top
7	10908	Element O-ring	16	220641	TPR Valve HTE55-1 ½ x 1000kPa
8	316209	Fitting Liner ¾" x 25mm			
9	069405	Fitting extension ¾"	N/S	317623	Thermostat and linking shaft kit - Pre 2008

# Rheem Spare Parts Manual

## Optima 400L twin element



Item	Part No.	Description	Item	Part No.	Description
1	100738-1	E&T cover bottom pre Mar 2016	8	316209	Fitting liner ¾" x 25mm
1	100703-1	E&T cover Bottom post Mar 2016	9	069405	Fitting extension ¾"
2	100704-1	Thermostat cover top	10	221398-1	Inlet/outlet pipe seal
3	221720-1	Anode cover	11	221411	TPRV seal
4	222020	Anode (black) 1636mm	12	226928-1	Thermostat knob
	316657	Anode (green) 1596mm	13	226948	Thermostat/knob linking shaft
5	11599	Thermostat clamp	14	052014	R/Shaw T/stat ST1204133R bottom pre 2016
6	050314	Element 3.0kW offset	14	315825	R/Shaw T/stat ST1203133 bottom post Mar 2016
	050317	Element 3.6kW offset	15	11077	R/Shaw T/stat ST2207233 top
	050318	Element 4.8kW offset	16	220641	TPRV HTE55-1 ½ x 1000kPa
7	050704	Element gasket	17	860041	Adaptor flange & pipe