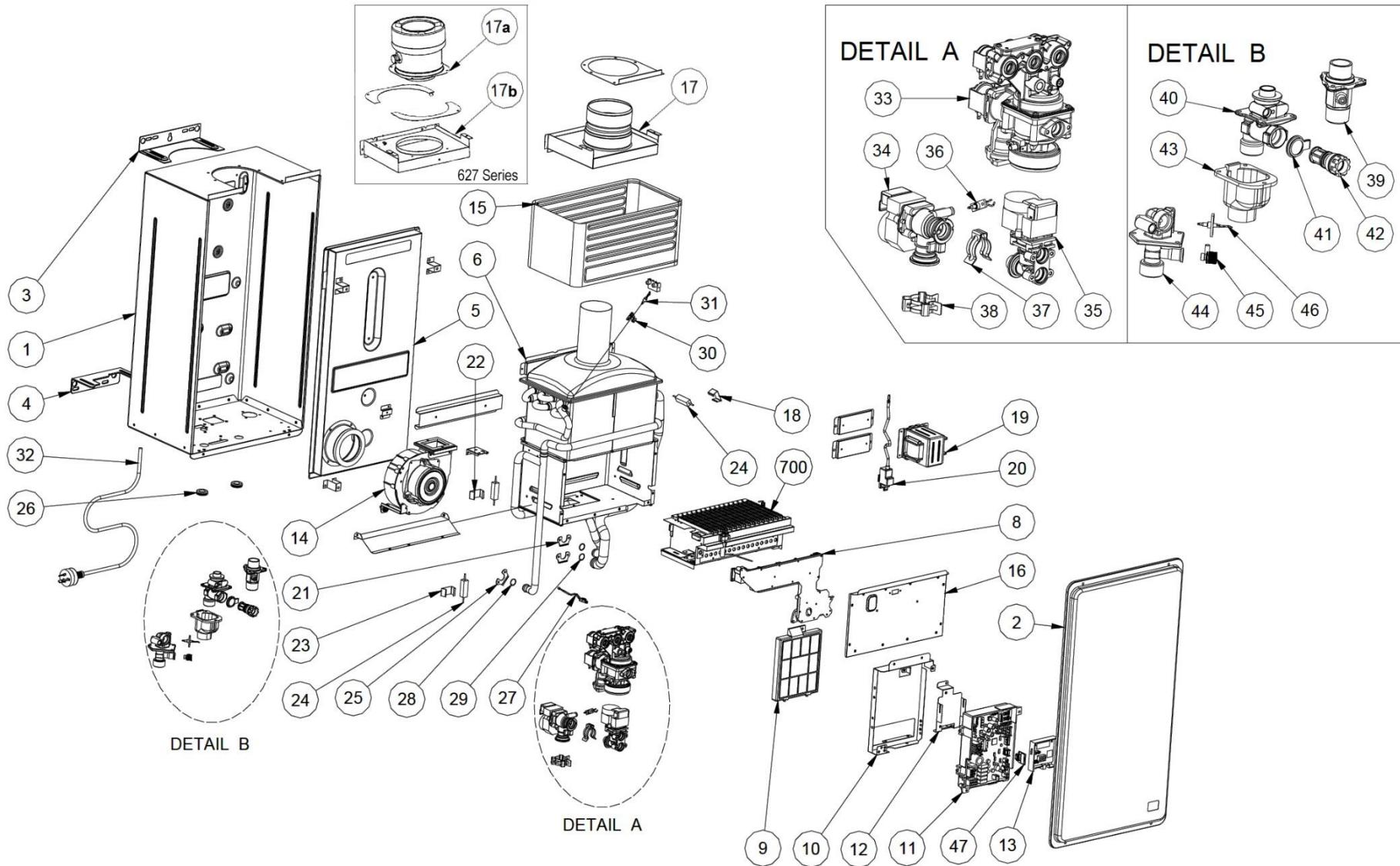


Rheem Spare Parts Manual

Continuous flow internal models 864027, 864627 & 862627 Mechanical



Rheem Spare Parts Manual

Continuous flow internal models 864027, 864627 & 862627series

Item	Part No.	Description	Item	Part No.	Description
2	41-02215-00	Front cover	27	09-76988-00	Ambient air thermistor
3	21-96103-00	Slide bracket A	28	09-06215-00	Heat exchanger outlet O-ring
4	21-12632-00	Slide bracket B	29	09-06219-00	Heat exchanger inlet O-ring
5	41-02421-00	Intake hood	30	31-92244-00	Spring clip for heat exchanger thermistor
6	41-02441-00	Combustion chamber kit suits model 864027	31	09-76932-00	Heat exchanger thermistor
	41-02443-00	Combustion chamber kit suits models 864627 & 862627	32	31-76652-00	Cord set
8	41-02412-00	Gas manifold assembly NG	33	41-02231-00	PGFR valve
	41-02417-00	Gas manifold assembly LPG	33	09-61260-00	PGFR valve O-ring
9	41-02960-0S	Power supply PCB suits all 86 models	34	20-51136-00	Water control assy models pre Jan 18 (white plug)
			##	41-18374-00	Water control assy Gen 2 models after Jan 18 (black plug)
10	31-92105-00	PCB bracket	35	20-51138-00	Water bypass assembly
11 ##	41-02911-00	Old 5*Board use 6* below	36	09-76931-00	Water inlet thermistor
	41-02890-00	PCB suits 5* & 6* 864 & 862 series (white socket)	37	11-24325-00	Spring clip
	41-18376-00	PCB Gen 2 suits 5* & 6* 864 & 862 series (black socket)	38	20-43624-00	Spring clip
13	41-02265-00	O.K. monitor (LED display)	39	31-76255-00	Gas inlet connector 3/4"
14	31-92553-00	Fan			
15	31-92777-00	Over heat limiter	42	20-43718-00	Water drain valve/ filter assembly
16	31-92125-00	Burner plate cover	43	31-92608-00	Remote control terminal cover
17	41-02425-00	Flue assembly suits model 874027	44	31-86062-00	Outlet connector 3/4"
17a	31-93521-00	Flue Spigot suits model 864627 & 862627	45	10-36316-00	Safety valve
17b	41-02428-00	Air Inlet Hood suits model 864627 & 862627	46	09-76985-00	Outlet thermistor
18	21-38305-00	Anti-frost heater clamp A	47	41-02337-00	Gas type connector – Indoor 27L 55°C NG suits model 864027
19	41-02981-00	Transformer		41-02338-00	Gas type connector – Indoor 27L 55°C LPG suits model 864027
20	41-02261-00	Igniter assembly		41-02797-00	Gas type connector – Indoor 27L 55°C NG suits model 864627
21	10-88398-00	Water control flange		41-02798-00	Gas type connector – Indoor 27L 55°C LPG suits model 864627
22	00-49576-00	Anti-frost heater clamp B		41-02886-00	Gas type connector – Indoor 27L 82°C NG suits model 862627
23	21-30226-00	Anti-frost heater clamp C		41-02887-00	Gas type connector – Indoor 27L 82°C LPG suits model 862627
24	41-02321-00	Anti-frost heaters & Loom	700	41-02616-00	Burner assembly (upper)
25	10-88399-00	Outlet flange	N/S	09-73211-00	5A fuse
26	01-91237-00	Rubber bush		09-73259-00	3A fuse

- see service bulletin 226 issued 06/04/2018