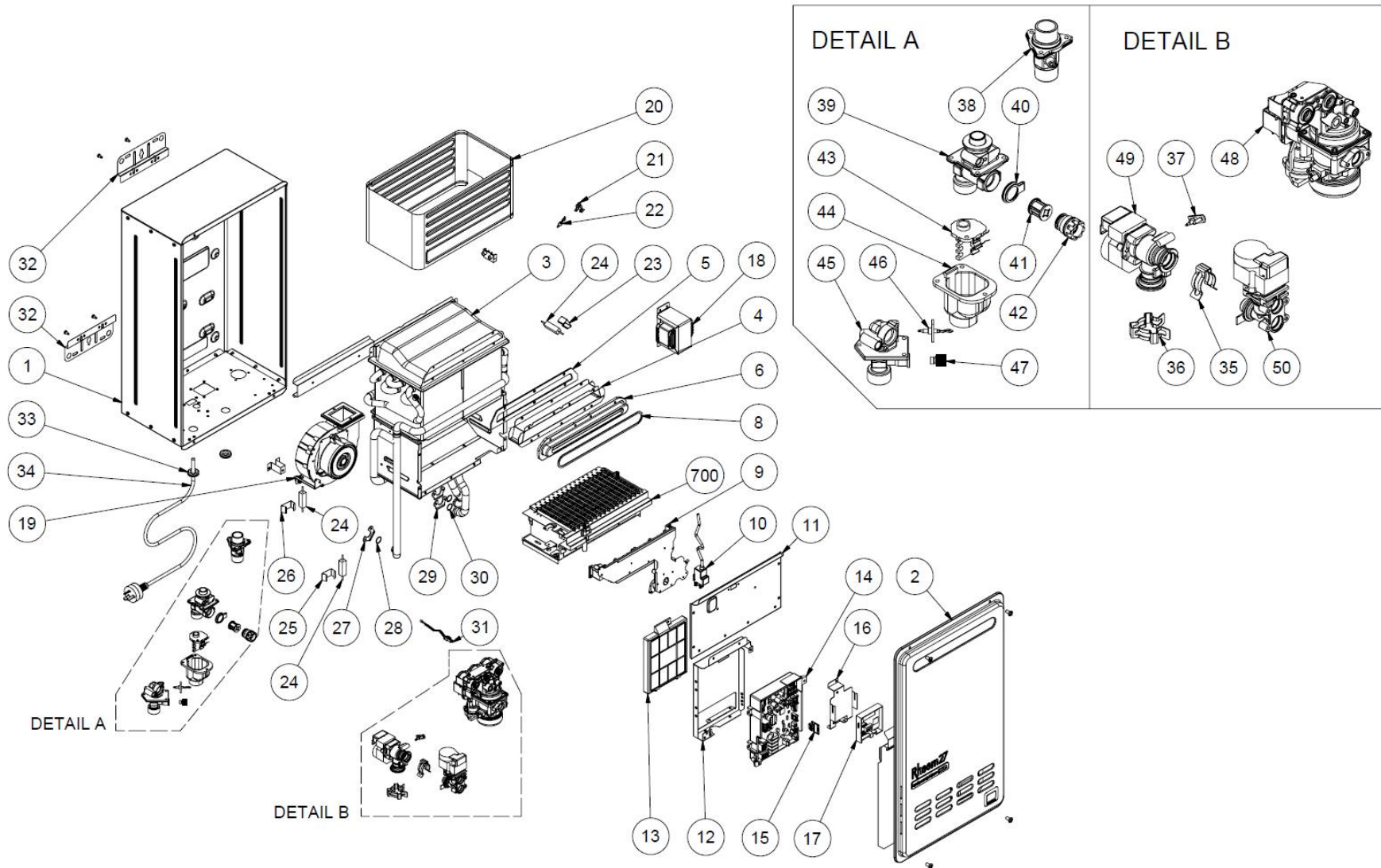


# Rheem Spare Parts Manual

## Continuous flow external models **874027, 874627 & 872627 Mechanical**



# Rheem Spare Parts Manual

## Continuous flow external models 874027, 874627 & 872627 Mechanical

Ite	Part No.	Description	Ite	Part No.	Description
1	41-02512-00	Heater cabinet	23	21-38305-00	Anti-frost heater clamp
2	41-02514-00	Front cover	24	41-02321-00	Anti-frost heaters & Loom
	41-02695-00	FRONT COVER OUTDOOR JOEY GREY			
3	41-02711-00	Heat exchanger/combustion chamber kit suits 874027	25	21-30226-00	Anti-frost heater clamp
	41-02714-00	Heat exchanger/combustion chamber kit suits 874627 & 872627	26	00-49576-00	Anti-frost heater clamp
5	31-92912-00	Exhaust flue gasket	27	10-88399-00	Flange suit heat exchanger outlet
6	31-92915-00	Exhaust adapter	28	09-06215-00	O-ring suit heat exchanger outlet
7	31-53195-00	Flue seal packing	29	10-88398-00	Flange suit heat exchanger inlet
8	31-80365-00	Top assembly	30	09-06219-00	O-ring suit heat exchanger inlet
9	41-02412-00	Gas manifold assembly NG	31	31-63579-00	Ambient air thermistor
9	41-02417-00	Gas manifold assembly LPG	32	31-04325-00	Mounting bracket
10	41-02261-00	Igniter assembly	34	31-76652-00	Power lead
11	31-92125-00	Burner cover plate	35	11-24325-00	Spring clip suit water body
12	31-92105-00	PCB bracket	36	20-43624-00	Spring clip suit water inlet
13	41-02960-0S	PCB power supply suits all models	37	09-76931-00	Water inlet thermistor
14 ##	<del>41-02911-00</del>	PCB suits 874027 use 6* below	38	31-76255-00	Gas connector 3/4"
	<del>41-02490-0S</del> 41-02890-00	PCB suits 5* & 6* 864 & 862 series (white socket)	39	41-02241-00	Water inlet connector 3/4"
	41-18376-00	PCB Gen 2 suits 5* & 6* 864 & 862 series (black socket)	40	09-06215-00	O Ring
			41	20-43721-00	Inlet Filter
15	41-02627-00	Gas type connector NG suits 874027 55°C *Five Star Chip	42	20-43718-00	Water drain valve assembly
			43	41-02534-00	Remote control terminal assy
			44	31-92608-00	Remote control terminal cover
	41-02628-00	Gas type connector LPG suits 874027 55°C *Five Star Chip	45	31-86062-00	Water outlet connector 3/4"
	41-02787-00	Gas type connector NG suits 874627 55°C	46	09-76985-00	Outlet thermistor
	41-02788-00	Gas type connector LPG suits 874627 55°C	47	04-38888-00	Safety valve
41-02888-00	Gas type connector NG suits 872627 82°C	48	41-02521-00	Proportional gas flow regulating valve	
41-02889-00	Gas type connector LPG suits 872627 82°C	48	09-61260-00	O-ring suit PGFR	
17	41-02265-00	O.K. monitor	49 ##	20-51136-00	Water control assy models pre Jan 18 (white plug)
18	41-02971-00	Transformer assembly		41-18374-00	Water control assy Gen 2 models after Jan 18 (black plug)
19	31-50547-00	Fan			
20	31-92777-00	Over heat limiter	50	20-51138-00	Water bypass assembly
21	31-92244-00	Spring clip (heat exchange thermistor)	700	41-02616-00	Burner assembly (upper)
22	09-76932-00	Heat exchanger thermistor			

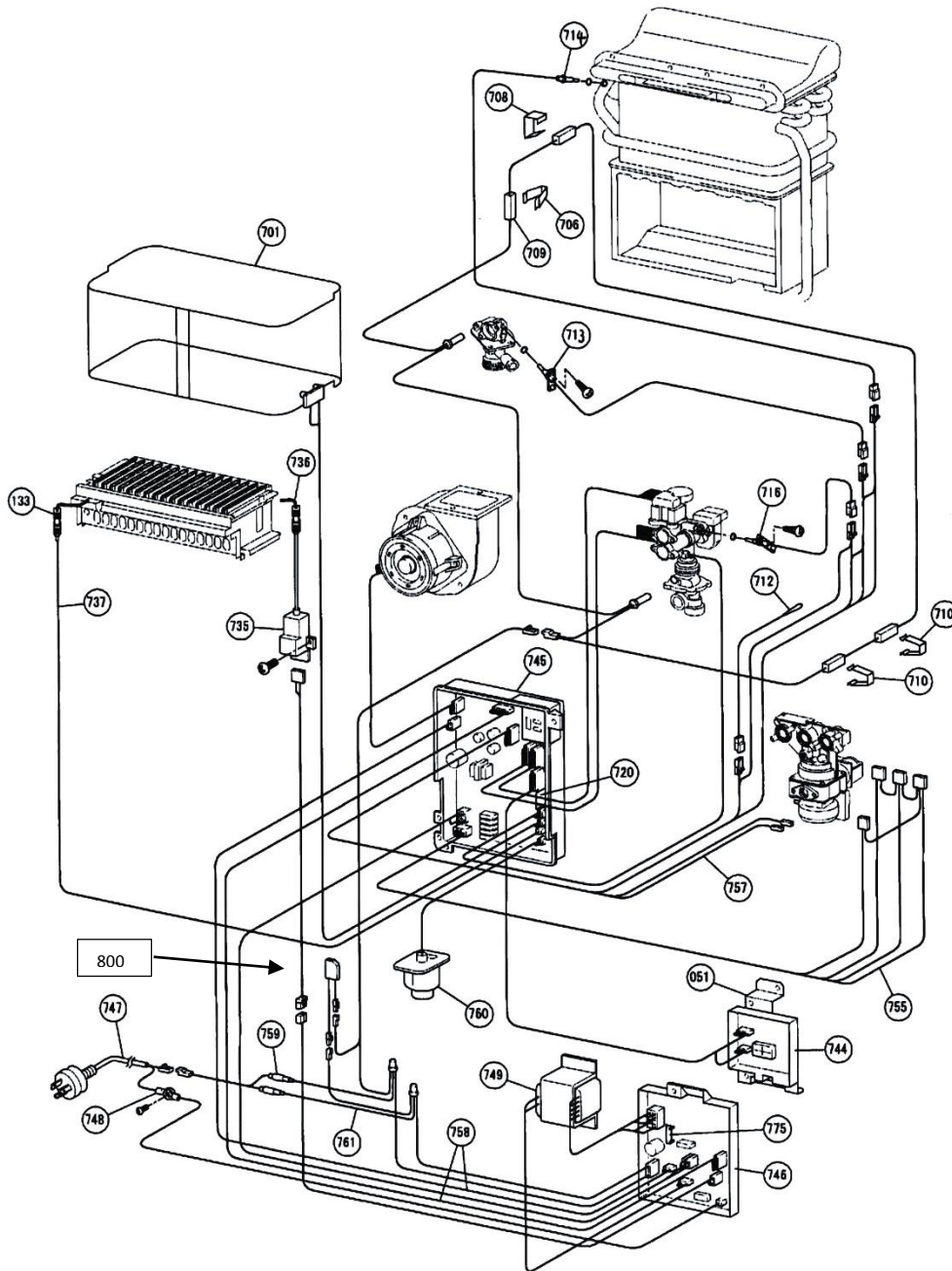
## - see service bulletin 226 issued 06/04/2018

# Rheem Spare Parts Manual

## Continuous flow models

864027, 864627, 862627, 874027, 874627, 872627

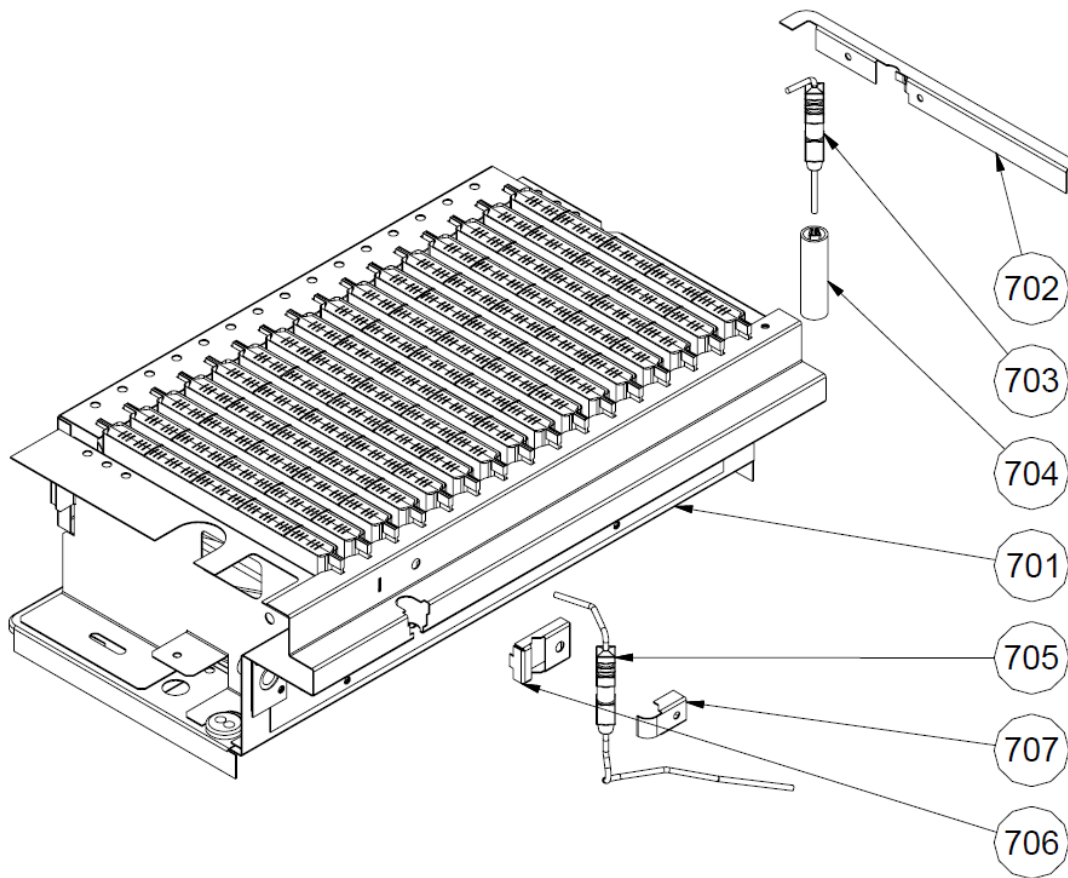
### Electrical



Item	Part No.	Description	Item	Part No.	Description
737	31-63738-00	Flame rod cable A	761	41-02535-00	Relay
748	41-02538-00	Connecting cord	775	09-73211-00	Fuse 5A (power PCB)
755	41-02536-00	110V wiring loom	N/S	09-11147-00	Screw for flame sensor clamp
757	31-92239-00	Wiring loom	N/S	31-92548-00	Rubber bush B (gas manifold)
758	41-02537-00	Signal connecting wire assembly	N/S	31-92547-00	Rubber bush A (gas manifold)
759	09-73259-00	Fuse 3A	N/S	31-64112-00	Bush B (ignition lead)
800	20-57072-00	Anti-frost thermostat			

# Rheem Spare Parts Manual

## Continuous flow models 864027, 864627, 862627, 874027, 874627, 872627 Burner assembly



Item	Part No.	Description
700	41-02616-00	Burner assembly (includes all parts 1-7)
701	41-02411-00	Nozzle plate NG (Internal models only)
701	41-02416-00	Nozzle plate LPG (Internal models only)
702	31-92072-00	Ignition electrode clamp
703	31-53439-00	Ignition electrode
704	31-53479-00	Silicone tube insulation
705	31-92649-00	Flame sensor electrode
706	21-60419-00	Flame sensor clamp A
707	11-56728-00	Flame sensor clamp B