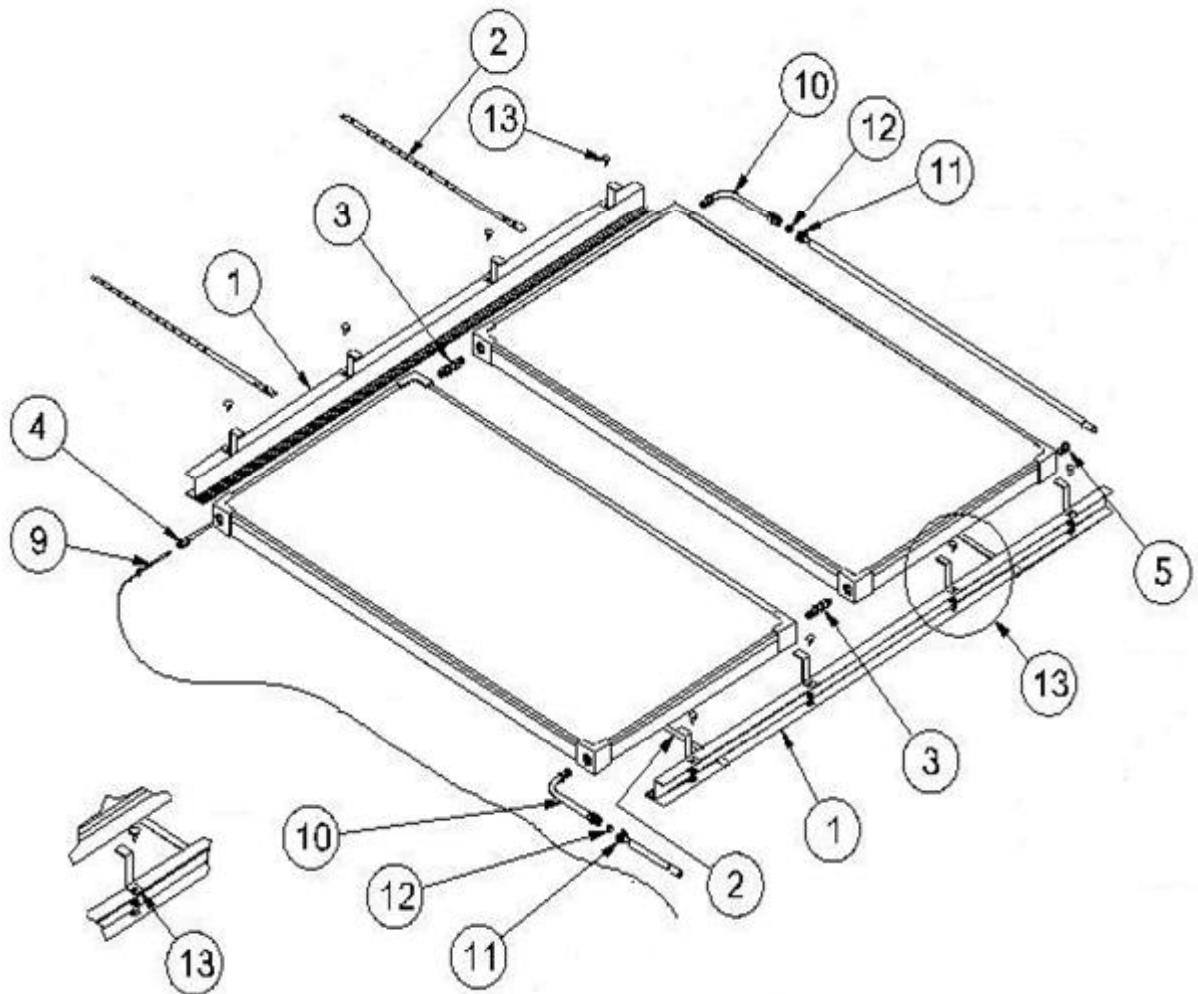


Solar Premier Lo-Line

Solar Premier Lo-Line Panels

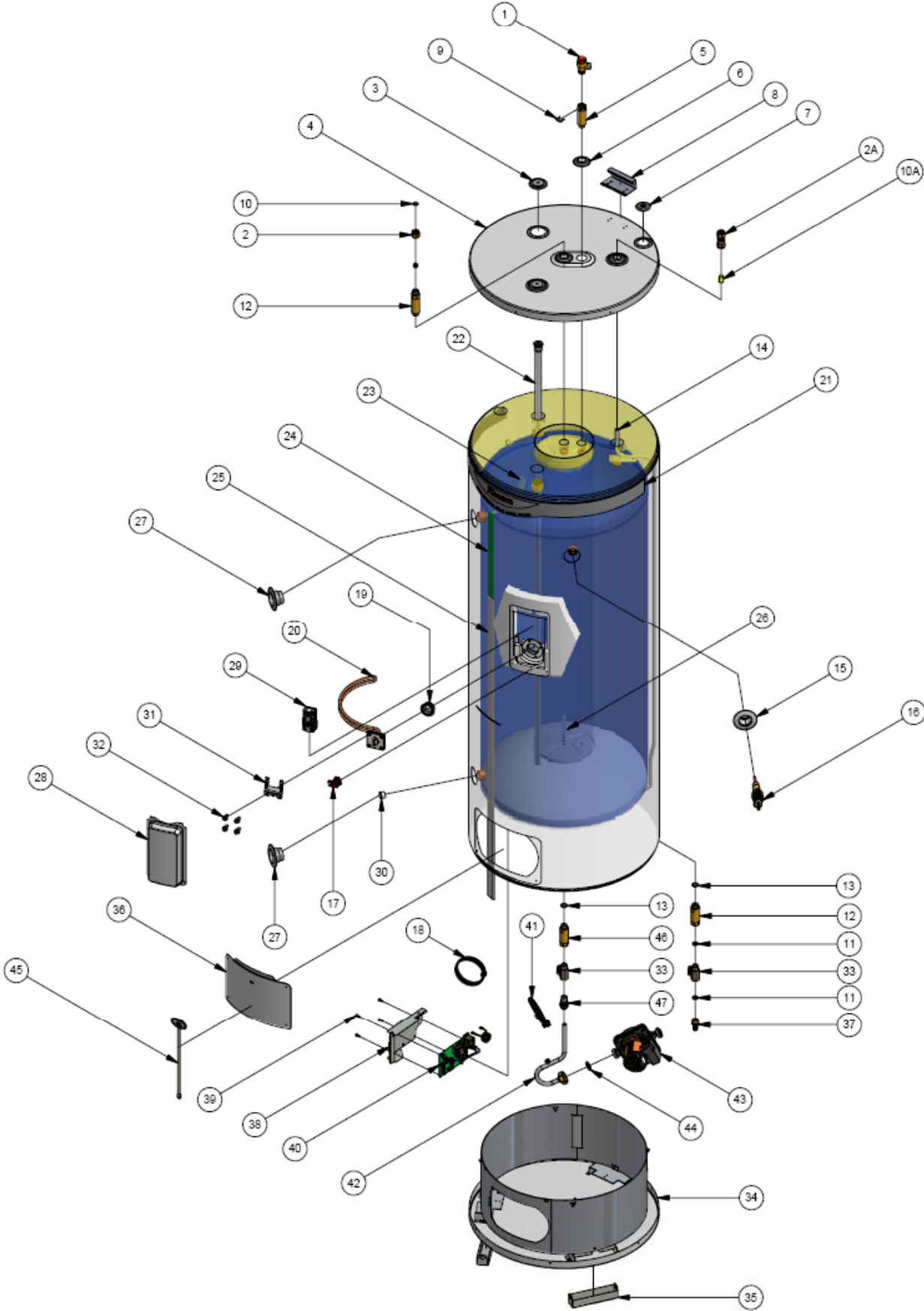


Solar Premier Lo-Line Panels

	Part No	Description
1	331847	Collector Rail
2	330847	Collector Strap
3	337121	Collector Joiner Union
4	340440	Sensor Housing
5	337135	End Plug
9	346080	Hot Sensor Thermistor
10	340450	Connector Pipe
11	827355	Connector Nut
12	827255	Connector Olive
13	331928	Collector Rail Clamp
18	317555	Glycol Top up *Per 4.5Litre

Solar Premier Lo-Line Cylinder

Model: A59127007



Solar Premier Lo-Line Cylinder

	Part No.	Description
1	088077	Caleffi Relief Valve
3	221229	Anode Cover
4	108370	Jacket Top
5	088095	Relief Valve (External Fitting)
6	221229	Pipe Seal (Solar Connection)
7	221735	Foam Cover
8	108243	Hand Grip
9	088100	Spring Clip
10	087035	Blanking Washer
11	080163	Washer
12	088092	Extension Fitting
13	087034	O-Ring Seal
15	221420	Pipe Seal TP&R Valve
16	220641	TP&R Valve HTE 523/507
17	051507	Terminal Block (3 Way)
18	056012	Hot Sensor Lead (Internal)
19	050704	Element Gasket
20	050210	Element 3.6 kW
21	120712	Name Band
22	221914	Anode Black
	222024	Anode Green
23	225601	Dip Tube (Hot Out)
24	053060	Sensor Strip
25		Sensor Strip (Outer Case)
26	220520	Cold Inlet Strainer
27	221418	Inlet/Outlet (Pipe Seal)
28	103616	Front Element Cover
29	051350	Thermostat
30	221001	Fitting Liner
31	102501	Thermostat Clamp
32	051404	Element Bolt
33	088075	Ball Valve
34	108377	Jacket Base
35	108107	Foot
36	104635	Pump Access Cover
37	088115	Hose Tail
38	108277	Controller Bracket
39	052120	Support Post
40	053050	PCB Control Board
41	056006	Sensor
42	088080	Cold Pipe
43	088081	Pump
44	087033	Cold Pipe Washer
45	052133	LED Panel & Wiring

