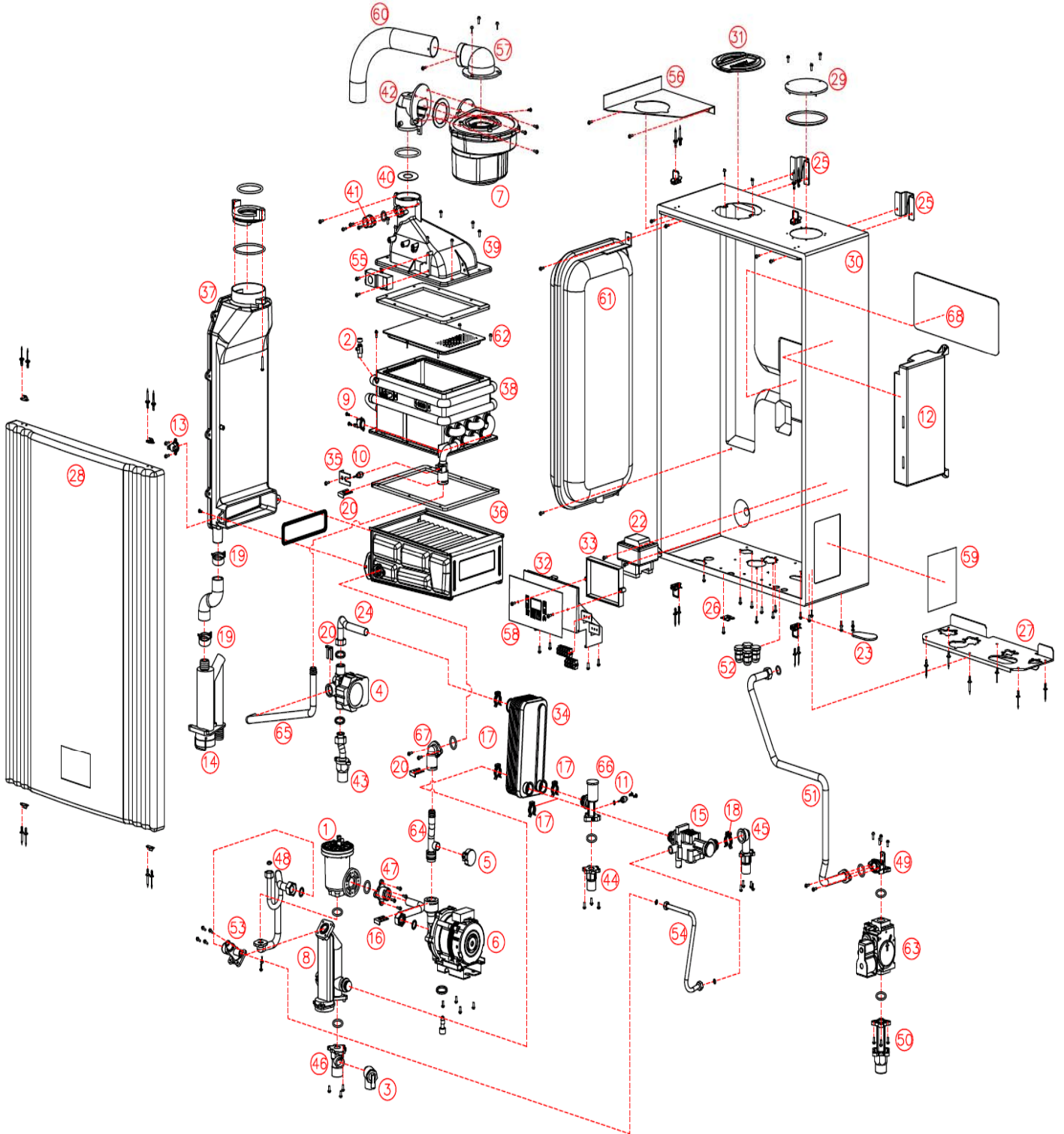


Saturn Condensing Boiler.

201 – 301 KCA

Saturn Condensing Combination Boiler 201 KCA Series

Models: Saturn-201KCA-NG and Saturn-201KCA-LPG



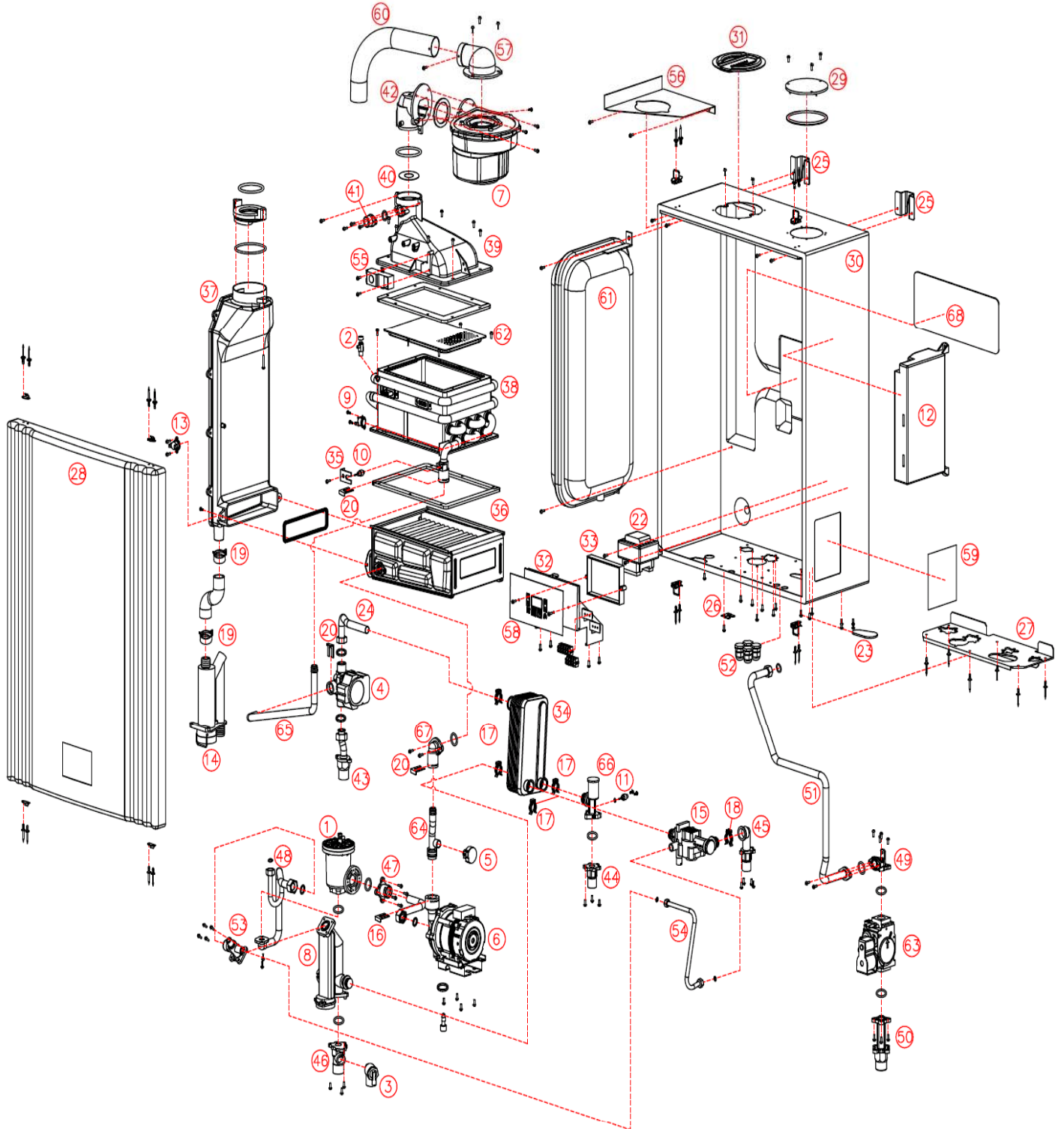
Saturn Condensing Combi Boiler Units -

Models: Saturn-201KCA-NG and Saturn-201KCA-LPG

		Part No.	Category
1	Air-vent Heating	BH2507003A	Nylon66
2	Air-vent Manual	BH2507005A	C3771BE, PT1/8"
3	Pressure Relief Valve	BH0905007A	C3771BE, PF1/2"
4	3-Way Diverter Valve	BH0902014A	AWT-05,AOC
5	Heating Pressure Sensor	BH1405001A	0~8mbar
6	Circulation Pump	BH1101020A	CS-0128M, 230V~ 50 Hz, ChungSuk
7	Fan Assembly	BH1112003A	RG128/1300, 3612-0211
8	Heating Strainer	BH1301006A	Nylon66
9	High Limit Sensor	BH1401014A	ON; 95°C, OFF;65°C
10	Heating Temperature Sensor	BH1403007A	
11	D.H.W. Temperature Sensor	BH1403031A	
12	PCB Control	NACR1GS80201	DIMS03-KD02
13	Flue High Limit Sensor	BH1401014A	ON;95°C. OFF;65°C
14	Siphon	BH2501227A	PP
15	Domestic Water Flow S/W	BH1410004A	Nylon66
16	Pipe Clip (Large)	BH2507013A	STS304, 1.0t
17	Pipe Clip, A	BH2507016A	STS304, 0.8t
18	Pipe Clip, B	BH2507017A	STS304, 0.8t
19	Hose Clip	BH2507029A	SK5, 23mm
20	Pipe Clip (Small)	BH2507012A	STS304, 1.0t
22	Transformer (Fan)	BH1205004A	AC230V~->AC24V~
23	Packing, Water Flow S/W	BH2423020A	EPDM
24	Heating Supply Pipe Assembly	BH2507072A	C1220T
25	Bottom Bracket	BH2505188A	SBHP1, 2.0t
26	Bracket, Drain Cock	BH2505160A	EGL
27	Low Adapter Reinforcement	BH2505169A	SHP1, Powder Coating, 2.0t
28	Front Cover	BBR15012033	SCP1, Powder Coating, 0.8t
30	Cabinet	BBK05011017	SCP1, Powder Coating, 0.8t
32	Panel Assembly	BH2505172A	EGL, 1.0t
33	PCB Cover, Display	BH1424035A	ABS
34	D.H.W. Exchanger	PAS200STS-003	STS340, 16pcs
35	Bracket, Heat Exchanger	BH2501067A	EGL, 0.8t
36	Latent Heat Exchanger	BH2501234A	STS316
37	Exhaust Duct	BH2501079A	ALDC8
38	Primary Heat Exchanger	PAC201KCA-042	C1220P
39	Mix Chamber	BH2501176A	ALDC
40	Orifice NG	BH2501393A	STS304, 0.5t,181:24.5,01:28.0
40	Orifice LPG	BH2501194A	Φ24.5 (181KCA CE) LPG
41	Nozzle NG	BH2501391A	C3771BE, 181:5.55, 201:6.80
41	Nozzle LPG	BH2501388A	C3712 PF 1/2" *35L (φ4.6) LPG
42	Adapter For Fan Outlet	BH2501083A	ALDC8
43	Heating Supply Connection Adapter	BH2507074A	C3771BE, PT3/4"
44	D.H.W. Supply Connection	BH2507070A	C3771BE, PT1/2"
45	D.H.W. Inlet Connection	BH2507064A	C3771BE, PT1/2"
46	Heating Return Connection	BH2507100A	C3771BE, PT3/4"
47	Outlet Adapter Air-vent	BH2507154A	C3771BE
48	Inlet Pipe. Air-vent	BH2507149A	C1220T
49	Adapter, Gas Valve Outlet	BH2507047A	ALDC
50	Adapter, Gas Valve Inlet	BH2507046A	ALDC8, PT3/4"
51	Pipe, Gas Inlet	BH2507035A	C1220T
52	Lockout	BH2507188A	DACL9
53	Outlet Adapter For Strainer Outlet	BH1301012A	Nylon66
54	Water Filling Pipe	BH2507105A	C1220T
55	Ignition Transformer	BH1201023A	
56	Intake Flow Plate	BH2505061A	EGL, 0.8t
57	Adapter For Fan Inlet	BH2501082A	PP
60	Intake Tube	BH2209001A	PP
61	Expansion Tank / Pressure Vessel	BH3101003A	SBHG1, 2.0t
62	Burner Assembly	BBXCC088004	MFB
63	Air-Ratio Gas Control Valve	BH0901010A	SIT 848 Sigma, AC230 V~, 50Hz
64	Inlet Pipe For Heat Exchanger	BH2507162A	C1220T
65	Outlet Pipe For Heat Exchanger	BH2507172A	C1220T
66	D.H.W. Supply Pipe	BH2507220A	Nylon 66
67	Adaptor For Primary Heat Exchanger Inlet	BH2507163A	C3771BE
69	Condensate Tube	BH2204002A	EPDM

Saturn Condensing Combi Boiler Units - 301 KCA Series

Models: Saturn-301KCA NG and Saturn-301KCA-LPG



Saturn Condensing Combi Boiler

Models: Saturn-301KCA-NG and Saturn-301KCA-LPG

	Description	Part No.	Category
1	Air-vent Heating	BH2507003A	Nylon66
2	Air-vent Manual	BH2507005A	C3771BE, PT1/8"
3	Pressure Relief Valve	BH0905007A	C3771BE, PF1/2"
4	3-Way Diverter Valve	BH0902014A	ATW-O5, AOC
5	Heating Pressure Sensor	BH1405001A	0 ~ 8mbar
6	Circulation Pump	BH1101020A	CS-0128M, 230V~ 50 Hz, ChungSuk
7	Fan Assembly	BH1112003A	RG128/1300, 3612-0211
8	Heating Strainer	BH1301006A	Nylon66
9	High Limit Sensor	BH1401014A	ON; 95°C, OFF; 65°C
10	Heating Temperature Sensor	BH1403007A	
11	D.H.W. Temperature Sensor	BH1403031A	
12	PCB Control	NACR1GS80201	DIMS03-KD02
13	Flue High Limit Sensor	BH1401014A	ON; 95°C, OFF; 65°C
14	Siphon	BH2501227A	PP
15	Domestic Water Flow S/W	BH1410004A	Nylon66
16	Pipe Clip (Large)	BH2507013A	STS304, 1.0t
17	Pipe Clip, A	BH2507016A	STS304, 0.8t
18	Pipe Clip, B	BH2507017A	STS304, 0.8t
19	Hose Clip	BH2507029A	SK5, 23mm
20	Pipe Clip (Small)	BH2507012A	STS304, 1.0t
22	Transformer (Fan)	BH1205004A	AC230V~->AC24V~
23	Packing, Water Flow S/W	BH2423020A	EPDM
24	Heating Supply Pipe Assembly	BH2507072A	C1220T
25	Bottom Bracket	BH2505188A	SBHP1, 2.0t
26	Bracket, Drain Cock	BH2505160A	EGL
27	Low Adapter Reinforcement	BH2505167A	SHP1, Powder Coating, 2.0t
28	Front Cover	BBR15012034	SCP1, Powder Coating, 0.8t
30	Cabinet	BBK05011019	SCP1, Powder Coating, 0.8t
32	Panel Assembly	BH2505172A	EG, 1.0t
33	PCB Cover, Display	BH1424035A	ABS
34	D.H.W. Exchanger	PAS300STS-005	STS304, 18pcs
35	Bracket, Heat Exchanger	BH2501067A	EGL, 0.8t
36	Latent Heat Exchanger	BH2501236A	STS316
37	Exhaust Duct	BH2501080A	ALDC8
38	Primary Heat Exchanger	PAC301KCA-044	C1220P
39	Mix Chamber	BH2501178A	ALDC
40	Orifice NG	BH2501205A	STS304, 0.5t, 29.0mm
40	Orifice LPG	BH2501392A	STS304 0.5t*φ56.5*φ26
41	Nozzle NG	BH2501102A	C3771BE, 6.70mm
41	Nozzle LPG	BH2501390A	C3712PF 1/2" (φ4.7) LPG
42	Adapter For Fan Outlet	BH2501083A	ALDC8
43	Heating Supply Connection Adapter	BH2507074A	C3771BE, PT3/4"
44	D.H.W. Supply Connection	BH2507070A	C3771BE, PT1/2"
45	D.H.W. Inlet Connection	BH2507064A	C3771BE, PT1/2"
46	Heating Return Connection	BH2507100A	C3771BE, PT3/4"
47	Outlet Adapter Air-vent	BH2507154A	C3771BE
48	Inlet Pipe. Air-vent	BH2507151A	C1220T
49	Adapter, Gas Valve Outlet	BH2507047A	ALDC
50	Adapter, Gas Valve Inlet	BH2507046A	ALDC8, PT3/4"
51	Pipe, Gas Inlet	BH2507034A	C1220T
52	Lockout	BH2507188A	DACL9
53	Outlet Adapter For Strainer Outlet	BH1301012A	Nylon66
54	Water Filling Pipe	BH2507106A	C1220T
55	Ignition Transformer	BH1201023A	
56	Intake Flow Plate	BH2505060A	EGL, 0.8t
57	Adapter For Fan Inlet	BH2501082A	PP
60	Intake Tube	BH2209001A	PP
61	Expansion Tank / Pressure Vessel	BH3102010A	SBHG1, 2.0t
62	Burner Assembly	BBXCC088006	MFB
63	Air-Ratio Gas Control Valve	BH0901010A	SIT 848 Sigma, AC230 V~, 50Hz
64	Inlet Pipe For Heat Exchanger	BH2507162A	C1220T
65	Outlet Pipe For Heat Exchanger	BH2507174A	C1220T
66	D.H.W. Supply Pipe	BH2507220A	Nylon66
67	Adaptor For Primary Heat Exchanger Inlet	BH2507163A	C3771BE
69	Condensate Tube	BH2204002A	EPDM

